

10TA Series Parts List (P18FXT)

Note: The P18FXT (later known as 10TA) began production in mid-1995 with Carlyle compressor and Cutler-Hammer control panel components. The compressor was changed over to the Copeland Discus in late 1995. In mid-1999, the control panel was changed to include Allen-Bradley I.E.C. components.

Control Panel Components (Allen Bradley Panel)

<u>Part Number</u>	<u>Req'd</u>	<u>Description</u>
12A7500E61	1	A/B SELECTOR SWITCH, 3 POSITION "Ice/Off/Clean" Selector Switch (SS)
12A7500E77	1	CONTACT BLOCK/MOUNTING LATCH, 2-NO, 1-NC
12A7500E56	1	A/B PUSH BUTTON SWITCH (GREEN) "Start" Push-Button Switch (PB2)
12A7500E73	1	CONTACT BLOCK/MOUNTING LATCH, 2-NO Contacts for "Start" Switch
12A7500E57	1	A/B PUSH BUTTON SWITCH (RED) "Stop" Push-Button Switch (PB1)
12A7500E76	1	CONTACT BLOCK/MOUNTING LATCH, 1-NC Contacts for "Stop" Switch
12A7503E22	1	THAW TIMER, 8 PIN PLUG-IN, 100-240V., 50/60HZ Replaces all other timers (includes base below)
12A7503E2201	1	TIMER BASE #0T08-PC, EIGHT PIN PLUG-IN
12B7503E18	1	ELAPSED TIME INDICATOR, 230V, 60HZ PANEL MOUNT
12B7503E17	1	ELAPSED TIME INDICATOR, 220V, 50HZ PANEL MOUNT
12A7515E21	1	CONTROL CIRCUIT CIRCUIT BREAKER, 3 AMP, 2-POLE
12A7517E27	1	A/B RELAY, 10A, 2-NO/2-NC, 208/240 "CR" Relay
12A7516E23	1	A/B CONTACTOR, 9-AMP, 3-POLE, 208/240V W/1-NO AUX Power Failure Relay
12A2117E04	1	FREEZER PRESSURE SWITCH-R22
12A7516E48	1	CONTACTOR 140A,W/1NO & 1N/C AUX, 220/230/240V-50/60 Hz Compressor Motor Contactor (CC) (Replaces 12A7516E31)
12A7518E34	1	A/B AUX. CONTACT, 10A, 1 NO/1 NC, SIDE MOUNT
12A7518E35	1	A/B AUX. CONTACT, 10A, 2 NO, SIDE MOUNT
12A7515E08	1	CIRCUIT BREAKER, 15 AMP. WESTINGHOUSE Cutter/Pump Circuit Breaker or Air-Cooled Cond-400/460v
12A7515E09	1	CIRCUIT BREAKER, 30 AMP. WESTINGHOUSE Air-Cooled Condenser Circuit Breaker-208/230v
12A7516E23	2	A/B CONTACTOR, 9-AMP, 3-POLE, 208/240V W/1-NO AUX Cutter/Pump Contactor
12A7518E33	2	A/B AUX. CONTACT, 6A, 1 NO, SIDE MOUNT Cutter/Pump Contactor Auxillary Contact

**10TA Series Parts List
(P18FXT)**

Control Panel Components (Con'd) (Allen Bradley Panel)

<u>Part Number</u>	<u>Req'd</u>	<u>Description</u>
12A7530E54	1	MANUAL MOTOR STARTER, 1.6-2.5 AMP OVERLOAD Cutter Motor-208/230v or Water Pump-460v
12A7530E56	2	MANUAL MOTOR STARTER, 4.0-6.3 AMP OVERLOAD Water Pump-208/230v
12A7530E52	2	MANUAL MOTOR STARTER, 0.63-1.0 AMP OVERLOAD Cutter Motor-460v
12A7530E53	2	MANUAL MOTOR STARTER, 1.0-1.6 AMP OVERLOAD Cutter Motor-400v, 50hz
12A7530E55	2	MANUAL MOTOR STARTER, 2.5-4.0 AMP OVERLOAD Water Pump-400v, 50hz
12A7516E26	1	A/B CONTACTOR, 23-AMP, 3-POLE, 208/240V W/1-NC AUX Condenser Fan Contactor (Air-cooled only)
12D2590G08	1	GAGE, 2.5" LQD FILLED, 30"-150 Freezer Pressure Gage
12D2590G09	1	GAGE, 2.5" LQD FILLED, 30"-400 Condenser Pressure Gage

Control Panel Components (Cutler-Hammer Panel)

<u>Part Number</u>	<u>Req'd</u>	<u>Description</u>
12A7500E08	2	SWITCH, TOGGLE, STEMCO #1145, "Ice/Clean" toggle switch or "On/Off" toggle switch
12A7500E17	1	C/H PUSH-BUTTON SWITCH (GREEN) W/START NAMEPLATE
12A7518E03	1	C/H CONTACT BLOCK FOR PUSH-BUTTON SW (1-N/O,1-N/C) Secondary contact for "Start" push-button switch
12A7500E15	1	C/H PUSH-BUTTON SWITCH (RED) W/STOP NAMEPLATE
12A7503E22	1	THAW TIMER, 8 PIN PLUG-IN, 100-240V., 50/60HZ Replaces all other timers (includes base below)
12A7503E2201	1	TIMER BASE #0T08-PC, EIGHT PIN PLUG-IN
12B7503E18	1	ELAPSED TIME INDICATOR, 230V, 60HZ PANEL MOUNT
12B7503E17	1	ELAPSED TIME INDICATOR, 220V, 50HZ PANEL MOUNT
12A7502E07	2	FUSE HOLDER,LITTEL FUSE SHOCK
12A7504E1	2	CONTROL CIRCUIT FUSE,2.5 AMP (ORDER MULTIPLES OF 5)
12A7517E18	1	C/H RELAY #D15CRY1 (W/ 2-N/O, 2-N/C) "CR" Relay, replaces Furnas 12A7517E15 & P/B 12A7517E08
12A7516E09	1	CONTACTOR / CUTLER-HAMMER 2-POLE, 10AMP Power Failure Relay
12A2117E04	1	FREEZER PRESSURE SWITCH-R22

**10TA Series Parts List
(P18FXT)**

Control Panel Components (Con'd) (Cutler-Hammer Panel)

<u>Part Number</u>	<u>Req'd</u>	<u>Description</u>
12A7516E14	1	C/H CONTACTOR #CE15NN3B, 3 POLE 220/240V Compressor Motor Contactor for Copeland (CC)
12A7518E22	2	AUX. CONTACT CUTLER HAMMER #C320KGS31, 1-NO
12A7518E23	1	AUX. CONTACT CUTLER HAMMER #C3320KGS21, 1-NC
12A7518E24	1	AUX. CONTACT CUTLER HAMMER #C320KGS20, 1-NO
12A7530E12	1	C/H STARTER #AE16KNY 3-POLE SIZE K Compressor Motor Starter for Carlyle (CC)
12A7518E21	1	AUX CONTACT / CUTLER-HAMMER #C320KGT4, 2-NO
12A7518E16	1	AUX CONTACT / CUTLER-HAMMER #C320KGS4, 2-NO
12A7515E08	1	CIRCUIT BREAKER, 15 AMP. WESTINGHOUSE Cutter/Pump Circuit Breaker or Air-Cooled Cond-400/460v
12A7515E09	1	CIRCUIT BREAKER, 30 AMP. WESTINGHOUSE Air-Cooled Condenser Circuit Breaker-208/230v
12A7530E11	2	C/H STARTER #AE16BNY, 3-POLE Cutter/Pump Motor Starter
12A7518E16	1	AUX CONTACT / CUTLER-HAMMER #C320KGS4, 2-NO
12A7508H2006	1	C/H HEATER PACK #H2006B 1.79-2.90 AMP Cutter Overload for 208/230v, Pump Overload for 460v
12A7508H2008	1	C/H HEATER PACK #H2008B 3.23-5.23 AMP Pump Overload for 208/230v
12A7508H2004	1	C/H HEATER PACK #H2004B .814-1.21 AMP Cutter Overload for 460v
12A7508H2007	1	C/H HEATER PACK #H2007B 2.15-3.49 AMP
12A7508H2009	1	C/H HEATER PACK #H2009B 4.55-7.40 AMP
12A7508H201	1	C/H HEATER PACK #H2010B 6.75-11.0 AMP
12A7508H2011	1	C/H HEATER PACK #H2011B 9.14-14.0 AMP
12A7508H2013	1	C/H HEATER PACK #H2013B 18.7-30.7 AMP
12A7508H2015	1	C/H HEATER PACK #H2015B 29.0-39.5 AMP
12A7508H2016	1	C/H HEATER PACK #H2016B 39.6-57.4 AMP
12A7508H2017	1	C/H HEATER PACK #H2017B 53.9-74.9 AMP
12A7516E26	1	A/B CONTACTOR, 23-AMP, 3-POLE, 208/240V W/1-NC AUX Condenser Fan Contactor (Air-cooled only) Replaces C/H 12A7516E1
12A7504E12	3	FUSE (GOULD SHAWMUT #ATDR10) 10AMP 600V DELAY Secondary Pump/Cutter Fuse (230v.,50/60hz) Air-Cooled Fan Motor Fuse (460/400v.,50/60hz)
12A7504E13	3	FUSE (GOULD SHAWMUT #ATDR6) 6AMP 600V DELAY Secondary Pump/Cutter Fuse (460/400v.,50/60hz)
12A7504E16	3	FUSE (GOULD SHAWMUT #ATDR15) 15AMP 600V DELAY Air-Cooled Fan Motor Fuse (230v.,50/60hz)

**10TA Series Parts List
(P18FXT)**

Additional Electrical Components

Part Number	Req'd	Description
12A7536M02	1	PROGRAMMABLE CONTROLLER (PLC) FXON-24MR
12A2117G04	2	A/B THERMOSTAT, 15FT WITH ENCLOSURE <i>Optional (BT)</i>
12A2117G01	2	A/B THERMOSTAT, 15FT <i>Optional (BT)</i>
12A2117G04	2	A/B THERMOSTAT, 15FT WITH ENCLOSURE <i>Optional (BT)</i>
12A2117G09	2	ELECTRONIC BIN THERMOSTAT <i>Optional (BT)</i>
12A2117D01	1	HI/LOW PRESSURE SWITCH
12A2117A05	1	SENTRONIC OIL PRESSURE SAFETY CONTROL
12A2117A0501	1	REPLACEMENT SENSOR #998-0162-00 FOR SENTRONIC OPS
12A2117F05	1	CONDENSER FAN CONTROL SWITCH
12A7519E03	1	CONTROL CIRCUIT TRANSFORMER, 460V-230V, 1KVA <i>For 60HZ Machines</i>
12A7519E02	1	TRANSFORMER, GE #9T51B0170, 1KVA <i>For 50HZ Machines</i>
12A7700P01	1	LINEBACKER PHASE PROTECTOR <i>Optional</i>

Freezer Components

Part Number	Req'd	Description
12B2185N11	156	1" WATER DISTRIBUTOR SANOPRENE NO VENT
12B2185N21	102	1-1/4" WATER DISTRIBUTOR SANOPRENE NO VENT
12B2185N31	72	1-1/2" WATER DISTRIBUTOR SANOPRENE NO VENT
12A2600G15	1	FREEZER COVER GASKET 22-1/2" OD x 19" ID
12B2145C03	1	18" LEXAN FREEZER COVER, 3/8" THK. W/VENT HOLE <i>(Requires the Foot Valve & Bulkhead Fitting below)</i>
12A4200B1007	1	VALVES, FOOT (PLASTIC), 1-1/2" MPT
12A2450B13	1	BULKHEAD FITTING, (PVC) 1 1/2"
19T4001S0244	1	SS FREEZER COVER BRACE FOR LEXAN COVER
12A2215J1113	18	CAP SCREW, 1/2"-13NC X 1 1/2"L
12A2250A111	18	WASHER, CUT 1/2" SS (300 SERIES)
12A2250B111	18	WASHER, LOCK 1/2" SS (300 SERIES)
12A2240A1111	18	NUT, HEX 1/2"-13NC S.S.

**10TA Series Parts List
(P18FXT)**

Freezer Components (Con'd)

<u>Part Number</u>	<u>Req'd</u>	<u>Description</u>
12A4009R01		PLUG, RUBBER 7/8" OD X 2" LG FOR 1" TUBES
12A2215H1116	1	CAP SCREW, 3/8"-16NC X 2-1/4" LONG <i>(Use this bolt for 1" tubes)</i>
12A2250A109	2	WASHER, CUT 3/8" x 7/8" O.D. SS <i>(Use this washer for 1" tubes)</i>
12A4009R02		PLUG, RUBBER 1"OD X 2 1/2"LG FOR 1-1/4" TUBES
12A4009R03		PLUG, RUBBER 1 1/4"OD X 2 1/2" FOR 1-1/2" TUBES
12A2215H1119	1	CAP SCREW, 3/8"-16NC X 3" LONG <i>(Use this bolt for 1-1/4" or 1-1/2" tubes)</i>
12A2250A12	2	WASHER, CUT 3/8" x 1" O.D. SS <i>(Use this washer for 1-1/4" or 1-1/2" tubes)</i>
12A2240A1109	1	NUT, HEX 3/8"-16NC S.S.
12A4200L0404	1	RELIEF VALVE #3020 SET @ 275#, 1/2" MPT x 5/8" SAE
12A4200G0302	1	ANGLE VALVE, 3/8" MPT x 3/8" FPT Charging Valve
12A2451U27	1	UNION, WC, 3/8" MPT x 1/4" SAE
12A2451C01	1	CAP, WC, 1/4" FLARE, WITH NEOPRENE SEAL
12A7500E22	1	FLOAT SWITCH, HANSON #HLL (DIFFERENTIAL SET @ 1/2")
12A7500E24	1	SWITCH ASSEMBLY #HLL-SW FOR HANSON
12A2600F01	2	FLANGE GASKET FOR 3/4" & 1" 2-BOLT FLANGE
12A2055B02	1	BRUSH, STAINLESS STEEL #GTC210 FOR 1" TUBES
12A2055B04	1	BRUSH, STAINLESS STEEL #GTC210 FOR 1 1/4" TUBES
12A2055B03	1	BRUSH, STAINLESS STEEL FOR 1-1/2" TUBE

Compressors

Original units built in early 1995 had Carlyle compressors. The design was changed to Copeland Discus in October 1995 with serial numbers beginning with 95K.

Compressors include junction box and overloads. Shipping weight 610lbs.

<u>Part Number</u>	<u>Req'd</u>	<u>Description</u>
12A2110A95	1	COMPRESSOR, COPELAND DISCUS 6DY3-3000-TSK-201, 30HP R-22, 208/230V-3P-60HZ
12A2110A93	1	COMPRESSOR, COPELAND DISCUS 6DN3-3500-TSN-201, 35HP R-22, 200/400V-3P-50HZ

10TA Series Parts List (P18FXT)

Compressor Accessories

<u>Part Number</u>	<u>Req'd</u>	<u>Description</u>
12A7509E12	1	CRANKCASE HEATER #518-0028-01 100 WATT INSERTION
12A2110P0302	1	COMPRESSOR OIL PUMP SCREEN #013-0084-00
12A7523E14	2	KLIXON OVERLOAD 9980524-00-COPELAND DISCUS
12A2110P0917	1	ELECTRONIC MOTOR PROTECTION MODULE-4D/6D DISCUS
12A2117A05	1	SENTRONIC OIL PRESSURE SAFETY CONTROL

Cutter Drive Parts

<u>Part Number</u>	<u>Req'd</u>	<u>Description</u>
12A2900M0508	1	CUTTER MOTOR, 1/2HP 208/230/460V-3P-50/60HZ
12A4030R12	1	GEAR REDUCER, GROVE 10:1 WASHDOWN W/VENT PLUG
12A2900M0601	1	CUTTER MOTOR 3/4HP, 1200 RPM, 208/230/460V-3P-60HZ <i>Used for Crushed Ice</i>
12A4030R08	1	GEAR REDUCER, GROVE 5:1 RATIO <i>Used for Crushed Ice</i>
19T2615D01	1	CUTTER DRIVE GEAR TI-59 W/O HUB
19T2615R02	1	P118F FINISHED RING GEAR, ALUMINUM-BRONZE
12A3040S02	1	CUTTER BEARING ROLL PIN 3/16" X 1/2"
12A2160H0101	1	CUTTER DRIVE GEAR HUB 5/8" BORE
12A2215F1112	3	CAP SCREW, 1/4"-20NC X 1 1/4" Long SS <i>Gear Hub Mounting Screws</i>
12A2250B107	3	WASHER, LOCK 1/4" SS (300 SERIES)

Cutter Internals

<u>Part Number</u>	<u>Req'd</u>	<u>Description</u>
19T2160C0202	1	(P18/118) SS CAST CUTTER ASSEMBLY FOR CYL ICE <i>Specify tube size</i>
126413B	1	CUTTER ASSEMBLY - P118F SQ BOTTOM TANK CRUSHED <i>Used for Crushed Ice Operation</i>
12A4000M01	1	(P118) CRUSHED ICE WATER TANK SCREEN
12B2020R01	1	UHMW CUTTER BEARING FOR M1500 thru P418F
12A3040S02	1	CUTTER BEARING ROLL PIN 3/16" X 1/2"
19T2025B0101	1	BEARING BRACKET FOR 18" CUTTER
19T2163D0201	1	P118F CUTTER DISC ASSEMBLY
12A3040S01	1	CUTTER DISC ROLL PIN, 1/4" X 1 1/2"
19T4073R07	1	CUTTER DISC ROLL PIN TOOL

10TA Series Parts List (P18FXT)

Water Tank & Circulating Water

Original 05TA units were built with stainless steel water tanks. Moulded plastic water tanks were introduced in early 1999.

<u>Part Number</u>	<u>Req'd</u>	<u>Description</u>
12A2600G05	1	WATER TANK GASKET 22" OD x 19" ID x 3/16" <i>Upper Gasket (Freezer to Stainless Tank)</i>
12A2600G17	1	WATER TANK BAND GASKET 18"ID x 18-3/8" OD x 2" TALL <i>Lower Gasket (Stainless Tank to Plastic Tank)</i>
12A4200H0402	1	FLOAT VALVE, 1/2" MPT ROBERTS FLOAT #R700L-1/2
12A4200HP01	1	STEM FOR ROBERTS FLOAT, 10" LG x 1/4-20 THREAD BRASS
12A4200HP02	1	FLOAT FOR ROBERTS, 4" CYL x 6" LG W/1/4-20 THREAD
12A2451U14	1	UNION, WC, 1/2" MPT X 5/8" SAE
		<i>Water Pump Note: 1-1/2hp water pumps used prior to 8/98 on all units. Units built between 8/98 thru 12/03 have 2hp pumps. Beginning 1/04, all 60hz use 1-1/2hp and 50hz use 2hp.</i>
12A4020G01	1	PUMP, GOULD NPE 3ST, 1.5 HP, 208/230/460-3-50/60 3-5/8" IMP <i>Use on all 60hz</i>
12A4020G08	1	PUMP, GOULD 3ST, 2 HP, 208-230/460V-3P-50/60HZ <i>Use on all 50hz</i>
12A4080S12	1	SEAL, PUMP FOR GOULD NPE 3ST 1-1/2 HP
12A4181T09	10	TUBING, PLASTIC, CLEAR, 2" ID x 3/16" THK <i>Circulating Water (Priced per ft)</i>
12A4181T05	10	TUBING, TYGON B-44-3, 1-1/2" OD x 1" ID <i>Overflow (Priced per ft)</i>
12A4181T08	3	TUBING, TYGON B-44-3, 3/8" OD x 1/4" ID <i>Blowdown (Priced per ft)</i>
12A4181CL03	3	PUMP SUCTION TUBING, 2" ID x 1/4" WALL x 8-3/4" LONG
12A2450E12	1	ELL, PVC, 90 DEG. 2" MPT X 2"
12A2450N01	3	NIPPLE, PVC, 1 1/2" X 2" LONG
12A2450E15	4	ELL, PVC, 45 DEG. 1 1/2" FPT
12A4200B1003	1	VALVES, CHECK, (PVC), SWING 1-1/2"
12A2450A06	1	ADAPTER, MALE, PVC, 2" INSERT x 1-1/2" MIPT
12A2450A07	1	ADAPTER, MALE, PVC, 2" MPT x 2" INSERT
12A1501S28	1	PVC WATER TANK DRAIN ASSEMBLY
12A2100C0201	2	CLAMPS, SS HOSE, 13/16" x 1 3/4"
12A2100C0202	4	CLAMPS, SS HOSE, 1-13/16" x 2-3/4"
12A4200G0101	1	PET COCK VALVE, 1/8" MPT x 1/4" HOSE
12A4500P118	1	P118F/P18F PLASTIC WATER TANK, MOLDED LLDPE

Water-Cooled Condenser

<u>Part Number</u>	<u>Req'd</u>	<u>Description</u>
12A2115S0111	1	CONDENSER, STANDARD #HSE-30A
12A2600S04	1	GASKET 1741 FOR STANDARD HSE-30A

**10TA Series Parts List
(P18FXT)**

Water-Cooled Condenser (Con'd)

<u>Part Number</u>	<u>Req'd</u>	<u>Description</u>
12A2600S05	1	GASKET 2984 FOR STANDARD HSE-30A
12A4200L0402	1	RELIEF VALVE #3020 SET @ 350#, 1/2" MPT x 5/8" SAE
12A4200G0201	1	VALVES, 1/4" MPT X 1/4" SAE
12A4200E1401	1	WATER REG VALVE, 2" FOR R-22 (PENN)
12A2055B01	1	CONDENSER CLEANING TOOL, ADJUSTABLE 3/8" x 1/2" ID

Air-Cooled Condenser

<u>Part Number</u>	<u>Req'd</u>	<u>Description</u>
12A2115KS661	1	CONDENSER, HDD-662, 50/50 SPLIT COIL & CONTROLS
12A2900M0505	1	CONDENSER FAN MOTOR, 1/2HP 208/230/460-3-50/60
12A7516E26	1	A/B CONTACTOR, 23-AMP, 3-POLE, 208/240V W/1-NC AUX Condenser Fan Contactor (Air-cooled only) Replaces Furnas 12A7516E06 and C/H 12A7516E1
12A2117F05	1	CONDENSER FAN CONTROL SWITCH
12A4200B0701	1	CHECK VALVE, 7/8" O.D.
12A4200A1103	1	VALVES, SOLENOID SPORLAN 1-5/8" ODC 208/230V-50/60HZ Discharge Line (X-Valve)

Receiver

<u>Part Number</u>	<u>Req'd</u>	<u>Description</u>
12A2625G02	1	GAGE GLASS 1/2" X 27-1/8" LONG For Brass Gage Cock Valves
12A2625G11	1	GAGE GLASS, 1/2" X 28 3/8" LONG For Steel Gage Cock Valves
19T2635G06	1	GAGE GLASS GUARD SET, 27 1/4"
12A4199V26	2	GAGE GLASS PACKING O-RING FOR 1/2" DIAMETER
12A4200J0405W	1	UPPER GAGE COCK VALVE, WESTERMEYER PLATED Replaced Brass Valve 12A4200J0403 - May 1999
12A4200J0406W	1	LOWER GAGE COCK VALVE, WESTERMEYER PLATED Replaced Brass Valve 12A4200J0404 - May 1999
12A3050C0301	2	PIPE NIPPLE, 1/2" X 1-1/2" LONG
12A4200G0402	2	ANGLE VALVE, 1/2" MPT x 1/2" FPT Drain/Purge Valve
12A4200L0408	1	RELIEF VALVE #3020 SET @ 400#, 1/2" MPT x 5/8" SAE
12A4200G0606	1	VALVES, ANGLE, 3/4" HANSEN SOCKET WELD Liquid Line (King) Valve

**10TA Series Parts List
(P18FXT)**

Discharge Line & Oil Return

<u>Part Number</u>	<u>Req'd</u>	<u>Description</u>
12A3025S08	1	OIL SEPERATOR, ACR #S-5292, HELICAL 1-5/8"
12A2451R02	1	FLARE ADAPTOR, 3/8" (F) SAE x 1/4" (M) SAE
12A4200G0204	1	VALVES, 214-4S 1/4ODC SUPERIOR Oil Return Stop Valve
12A4200G0201	1	VALVES, 1/4" MPT X 1/4" SAE Oil Charge/Drain Valve
12A4200A1103	1	VALVES, SOLENOID SPORLAN 1-5/8" ODC 208/230V-50/60HZ (X-Valve) Air-Cooled Only
12A2105C16	1	COIL, #MKC-2 FOR SPORLAN 208/240V-50/60HZ
12D2590G09	1	GAGE, 2.5" LQD FILLED, 30"-400 Discharge Pressure Gage

Suction Line

<u>Part Number</u>	<u>Req'd</u>	<u>Description</u>
12A2000A12	1	SUCTION ACCUMULATOR, RR HX3639 2-1/8" x 7/8"
12A2710H2	1	HEAT EXCHANGER, DOUCETTE #HES 8078-23, 2" x 3/4"
12A4200L0404	1	RELIEF VALVE #3020 SET @ 275#, 1/2" MPT x 5/8" SAE
12A4200G0202	1	ANGLE VALVE, 1/4" MPT x 1/4" FPT Freezer Pressure Switch Connection Valve
12A2451E01	1	ELL, BRASS, 90 DEG. 1/4" SAE x 1/4" MPT

Liquid Line

<u>Part Number</u>	<u>Req'd</u>	<u>Description</u>
12A4200A0604	2	VALVES, SOLENOID, HANSEN #HS8 3/4" W/STRAINER Liquid Line Solenoid (A-Valve)
126229	1	COIL, HANSEN #70-1063,208/240V-50/60HZ W/JUNCTION BOX
12A4199V51	1	REPAIR KIT #70-1001 FOR HANSEN HS8
12A4200C0605	1	HAND EXPANSION VALVE, 3/4" ANGLE HANSEN
12A2140C01	1	FILTER DRIER CORE #RC-4864 FOR R-22
12A2140C02	1	FILTER DRIER CORE #RCW-48 FOR R-404A
12A4200G0302	1	ANGLE VALVE, 3/8" MPT x 3/8" FPT Charging Valve
12A2451U27	1	UNION, WC, 3/8" MPT x 1/4" SAE
12A4200G021	1	VALVES, 1/4" MPT x 1/4" FPT ANGLE "A2" Line Stop Valve
12A4200G0202	1	ANGLE VALVE, 1/4" MPT x 1/4" FPT Strainer Access Valve
12A4200G0606	1	VALVES, ANGLE, 3/4" HANSEN SOCKET WELD Liquid Line (King) Valve

**10TA Series Parts List
(P18FXT)**

Thawing Gas Line

<u>Part Number</u>	<u>Req'd</u>	<u>Description</u>
12A4200A1001	1	VALVES, SOLENOID, HANSEN #HS7, 1-1/4" PORT SW <i>Thawing Gas Solenoid ("D"-Valve)</i>
12A4199V52	1	REPAIR KIT #70-1018 FOR HANSEN HS7
126229	1	COIL, HANSEN #70-1063,208/240V-50/60HZ W/JUNCTION BOX

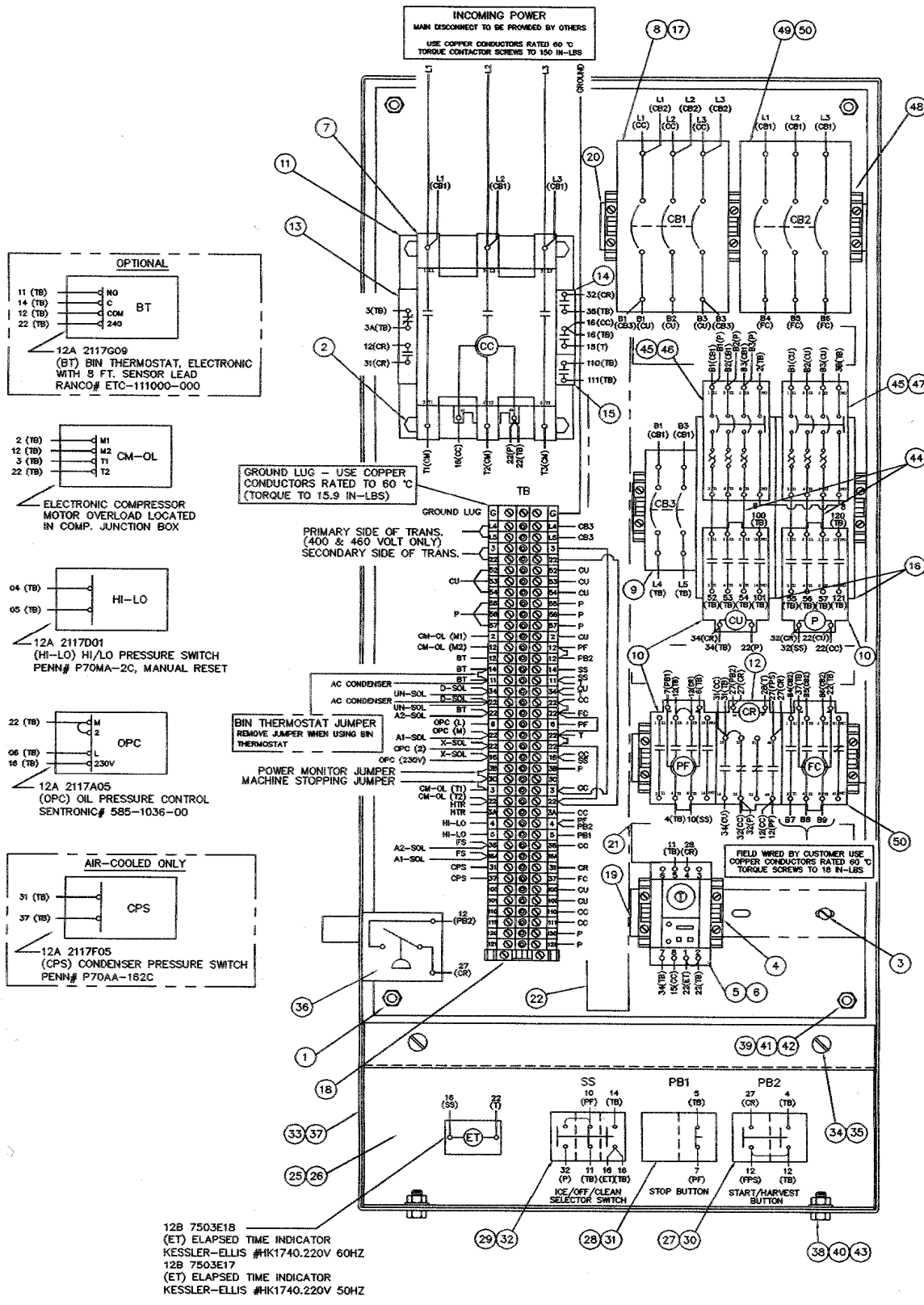
Superhose & Fittings

<u>Part Number</u>	<u>Req'd</u>	<u>Description</u>
12A2742S03	1	SUPERHOSE ASSY, 20" LONG, 1/4" <i>High Pressure Switch to Compressor</i>
12A2742S04	2	SUPERHOSE ASSY, 24" LONG, 1/4" <i>High Pressure Gage to Compressor, Water Reg Valve to Cond</i>
12A2742S06	3	SUPERHOSE ASSY, 54" LONG, 1/4" <i>FPS to Freezer, Low Pressure Switch & Low Gage</i>
12A2451T01		TEE, WC, 1/4" SAE x 1/4" MPT x 1/4" SAE
12A2451T02		TEE, WC, 1/4" SAE x 1/4" SAE x 1/4" MPT
12A2451T03		TEE SWIVEL 1/4" SAE x 1/4" ACCESS x 1/4" FEMALE SWIVEL
12A2451T04		TEE, BRASS 1/4" MPT x 1/4" SAE x 1/4" ACCESS
12A2451T06		TEE, SWIVEL, 1/4" SWIVEL x 1/4" SAE x 1/4" SAE
12A2451T07		TEE, 1/8" MPT x 1/4" SAE x 1/4" SAE
12A2451T08		TEE, BRASS, 1/4" (M) SAE x 1/4" (M) SAE x 1/4" (F) SAE
12A2451T09		TEE, 1/4" SAE FLARE
12A2451T1		TEE, STREET, BRASS 1/4" MPT X 1/4" FPT x 1/4" FPT
12A2451T11		TEE, 1/8" MPT X 1/4" SAE x 1/4" ACCESS
12A2451U01		UNION, U3-4B, 1/4" SAE x 1/4" FPT
12A2451U02		UNION, WC, BRASS 1/4" SAE x 1/4" ODC
12A2451U05		UNION, WC, 1/4" SAE x 1/4" MPT
12A2451U06		UNION, WC, 1/4" SAE x 1/8" MPT

Goldenrod Water Treatment

<u>Part Number</u>	<u>Req'd</u>	<u>Description</u>
12A2195W0901	1	GOLDENROD WATER TREATMENT, 9" - 25 GPM - NSF
12A2195I01	2	INSULATOR, DELRON FOR 5", 9", OR 12" GOLDENROD
12A2195W0504	1	DELRON THREADED PLUG FOR GOLDENROD

10TA Control Panel Layout (Allen-Bradley)



INCOMING POWER
 MAIN DISCONNECT TO BE PROVIDED BY OTHERS
 USE COPPER CONDUCTORS RATED 60 °C
 TORQUE CONTACTOR SCREWS TO 150 IN-LBS

OPTIONAL

11 (TB) — NO
 14 (TB) — C
 12 (TB) — COM
 22 (TB) — 240

12A 2117G09
 (BT) BIN THERMOSTAT, ELECTRONIC
 WITH 8 FT. SENSOR LEAD
 RANCO# ETC-111000-000

2 (TB) — M1
 12 (TB) — M2
 3 (TB) — T1
 22 (TB) — T2

ELECTRONIC COMPRESSOR
 MOTOR OVERLOAD LOCATED
 IN COMP. JUNCTION BOX

04 (TB) — HI
 05 (TB) — LO

12A 2117D01
 (HI-LO) HI/LO PRESSURE SWITCH
 PENN# P70MA-2C, MANUAL RESET

22 (TB) — M
 06 (TB) — L
 16 (TB) — 230V

12A 2117A05
 (OPC) OIL PRESSURE CONTROL
 SENTRONIC# 585-1036-00

AIR-COOLED ONLY

31 (TB) —
 37 (TB) —

12A 2117F05
 (CPS) CONDENSER PRESSURE SWITCH
 PENN# P70AA-162C

**GROUND LUG — USE COPPER
 CONDUCTORS RATED TO 60 °C
 (TORQUE TO 15.9 IN-LBS)**

PRIMARY SIDE OF TRANS.
 (400 & 460 VOLT ONLY)
 SECONDARY SIDE OF TRANS.

BIN THERMOSTAT JUMPER
 REMOVE JUMPER WHEN USING BIN
 THERMOSTAT

POWER MONITOR JUMPER
 MACHINE STOPPING JUMPER

**FIELD WIRED BY CUSTOMER USE
 COPPER CONDUCTORS RATED 60 °C
 TORQUE SCREWS TO 18 IN-LBS**

12B 7503E18
 (ET) ELAPSED TIME INDICATOR
 KESSLER-ELLIS #HK1740.220V 60HZ
 12B 7503E17
 (ET) ELAPSED TIME INDICATOR
 KESSLER-ELLIS #HK1740.220V 50HZ

10TA Control Panel Layout (Allen-Bradley)

BILL OF MATERIALS

KAN-BAN #	ITEM	PART NO.	DESCRIPTION	QTY.
19T2120M02 KAN-BAN ASSEMBLY (COMMON TO ALL MODELS)	1	12A2135M01	ENCLOSURE INSERT, 03TA, 05TA, 10TA	1
	2	12A2215F1107	CAP SCREW, 1/4"-20NC X 5/8"	4
	3	12A2226E1106	SCREW, 10-24NC X 1/2"	25
	4	12A7501E49	TERMINAL BLOCK END STOP	8
	5	12A7503E22	TIMER, DELAY ON MAKE, 220V	1
	6	12A7503E39	TIMER BASE, 8 PIN, GUARDED TERMINAL	1
	7	12A7505E25	TERMINAL COVER KIT, FOR 100-B110 CONTACTOR	1
	8	12A7515E08	CIRCUIT BREAKER, 15A, 3 POLE	1
	9	12A7515E21	CIRCUIT BREAKER, 3A, 2 POLE	1
	10	12A7516E23	CONTACTOR, 9A, 3 POLE, W/1NO AUX, 208/240V COIL	3
	11	12A7516E31	CONTACTOR, 110A, 3 POLE, 208/240V COIL	1
	12	12A7517E27	RELAY, 10A, 2NO/2NC, 208/240V	1
	13	12A7518E34	AUX. CONTACT, 10A, 1NO/1NC, SIDE MOUNT	1
	14	12A7518E35	AUX. CONTACT, 10A, 2NO, SIDE MOUNT	1
	15	N/A	AUX. CONTACT, 10A, 1NO, SUPPLIED W/CONTACTOR	1
	16	12A7534R02	DIN RAIL ADAPTER PLATE (FOR STARTER)	2
	17	12A7534R03	DIN RAIL ADAPTER (FOR CB #GD3015)	1
	18	19T7501E03	TERMINAL BLOCK ASSEMBLY, MID-SIZE	1
	19	19T7534R01D2	DIN RAIL, 8 5/16" LONG	3
	20	19T7534R01D6	DIN RAIL, 7 3/16" LONG	1
	21	19T7535D0501	WIRING DUCT/COVER 1" X 3" X 6" LONG	3
	22	19T7535D0506	WIRING DUCT/COVER 1" X 3" X 20" LONG	1

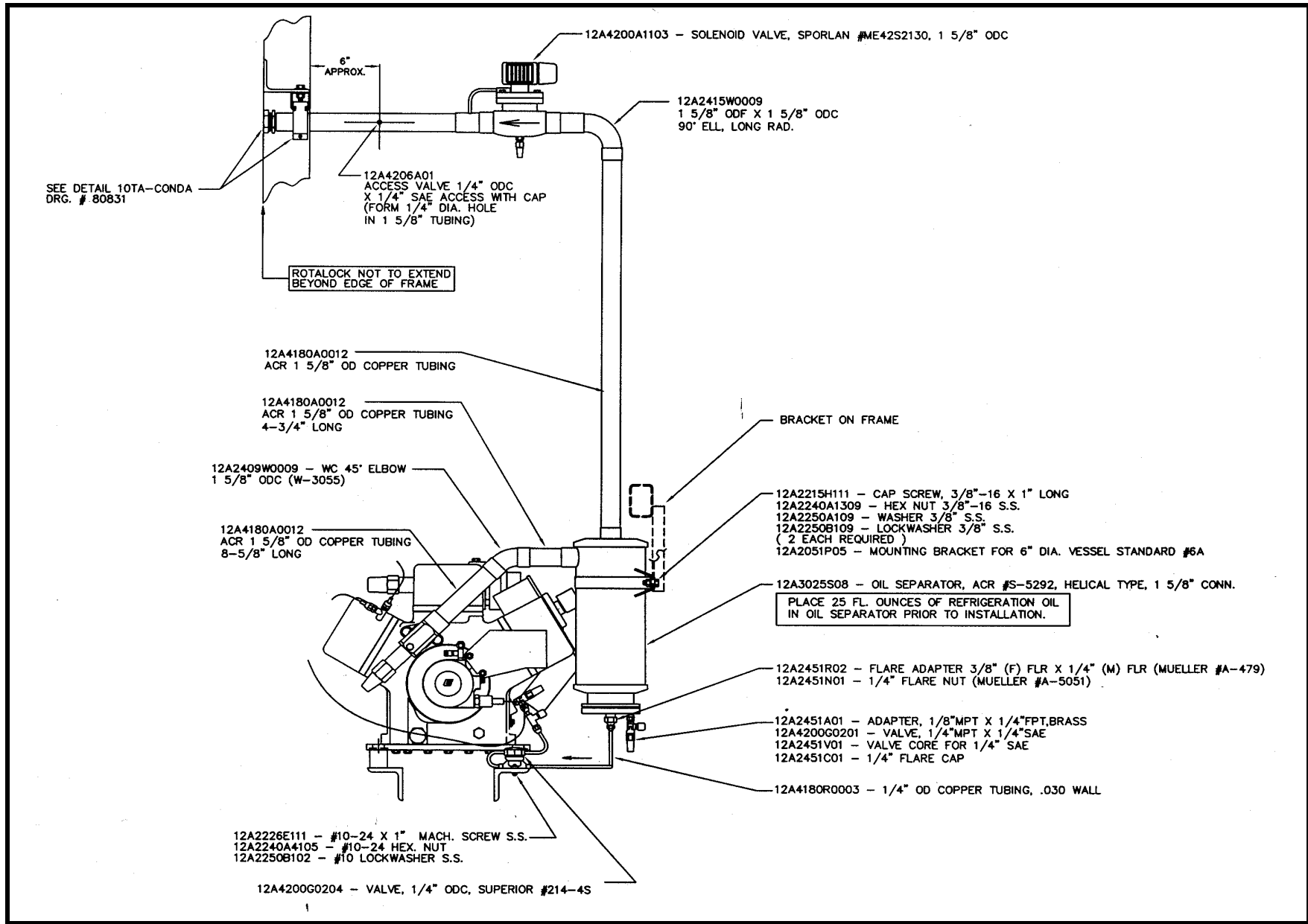
ASSEMBLY #	ITEM	PART NO.	DESCRIPTION	QTY.
19T2138M01 SWITCH PLATE ASSEMBLY (COMMON TO ALL MODELS)	25	12A2138M01	ENCLOSURE SWITCH PLATE, 03TA, 05TA, 10TA	1
	26	12A4171T79	SWITCH PLATE STICKER, 03TA, 05TA, 10TA	1
	27	12A7500E56	PUSH BUTTON, MOMENTARY, GREEN	1
	28	12A7500E57	PUSH BUTTON, MOMENTARY, RED	1
	29	12A7500E61	SELECTOR SWITCH, 3 POSITION	1
	30	12A7500E73	CONTACT BLOCK/MOUNTING LATCH, 2NO	1
	31	12A7500E76	CONTACT BLOCK/MOUNTING LATCH, 1NC	1
	32	12A7500E77	CONTACT BLOCK/MOUNTING LATCH, 2NO/1NC	1

ASSEMBLY #	ITEM	PART NO.	DESCRIPTION	QTY.
COVER ASSEMBLY (COMMON TO ALL MODELS)	33	12A2130M01	ENCLOSURE COVER, 03TA, 05TA, 10TA	1
	34	12A2226F1114	SCREW, 1/4"-20NC X 1/2", FLAT HEAD, SLOTTED	2
	35	12A4065R06	RETAINER, NYLON PUSH-ON	2

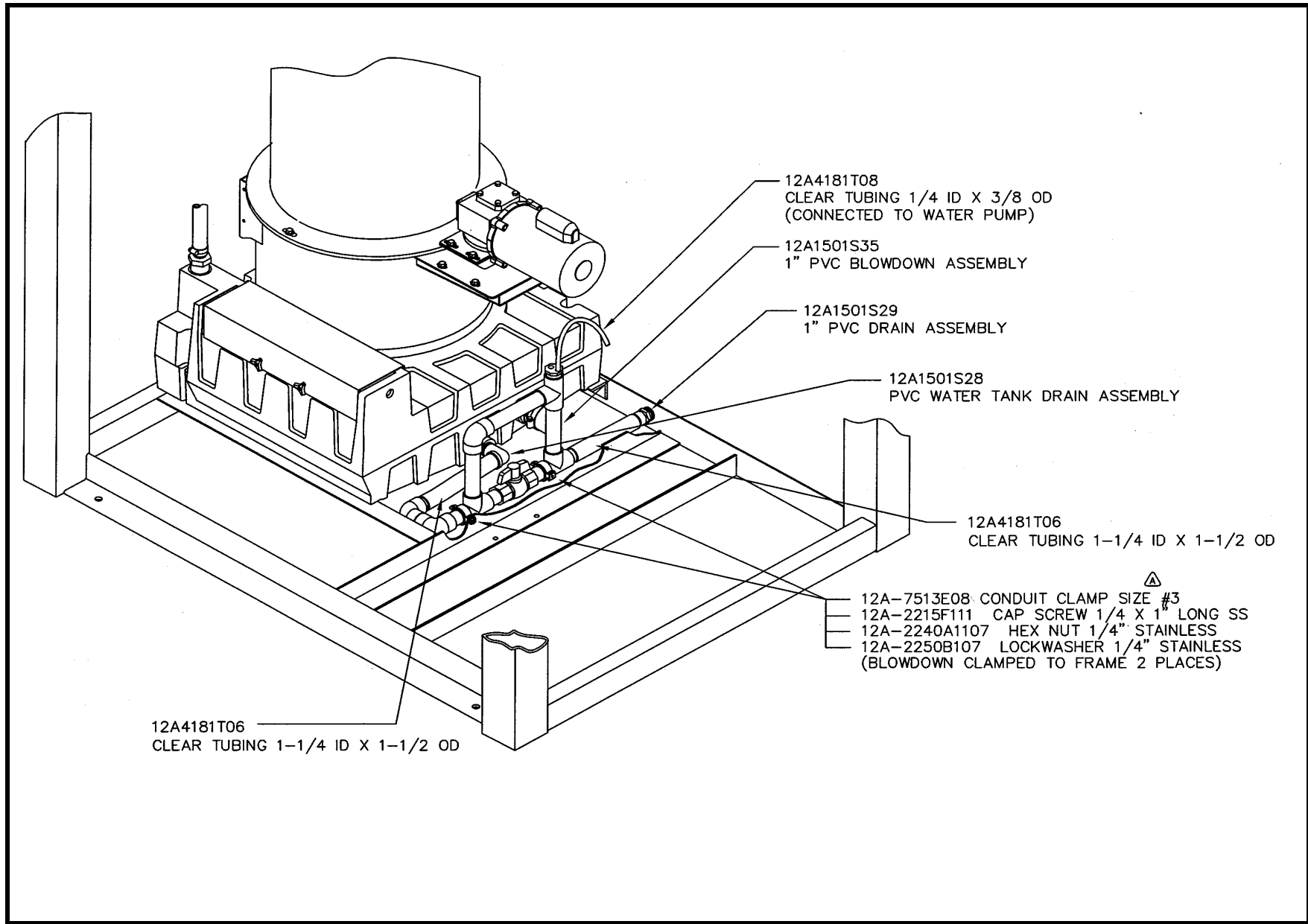
ASSEMBLY #	ITEM	PART NO.	DESCRIPTION	QTY.
ASSEMBLY HARDWARE (COMMON TO ALL MODELS)	36	12A2117E04	FREEZER PRESSURE SWITCH	1
	37	12A2125M01	ENCLOSURE, 03TA, 05TA, 10TA	1
	38	12A2215F1106	CAP SCREW, 1/4"-20NC X 1/2"	2
	39	12A2215H1112	CAP SCREW, 3/8"-16NC X 1 1/4"	4
	40	12A2240A1107	HEX NUT 1/4"-20NC S.S.	2
	41	12A2240A1109	HEX NUT 3/8"-16NC S.S.	4
	42	12A2240B1109	LOCKNUT 3/8"-16NC S.S. W/NYLON INSERT	4
	43	12A2250B107	LOCKWASHER 1/4" S.S.	2
	44	12A7505E21	CONNECTOR KIT, FOR 140-MN CONTACTOR 100-C	2
	45	12A7518E33	AUX. CONTACT, 6A, 1NO, SIDE MOUNT	2

PANEL #	ITEM	PART NO.	DESCRIPTION	QTY.
19T2120M0201 300/200/230V, 0A/0.04C WATER-COOLED	46	12A7530E54	CUTTER MANUAL MOTOR STARTER, 1.6-2.5A	1
	47	12A7530E56	PUMP MANUAL MOTOR STARTER, 4.0-6.3A	1
19T2120M0202 480 V, 0.04C WATER-COOLED	46	12A7530E52	CUTTER MANUAL MOTOR STARTER, 0.63-1.0A	1
	47	12A7530E55	PUMP MANUAL MOTOR STARTER, 2.5-4.0A	1
19T2120M0203 480V, 0.04C WATER-COOLED	46	12A7530E53	CUTTER MANUAL MOTOR STARTER, 1.0-1.6A	1
	47	12A7530E55	PUMP MANUAL MOTOR STARTER, 2.5-4.0A	1
19T2120M0204 200/200/230V, 0A/0.04C NR-COOLED	46	12A7530E54	CUTTER MANUAL MOTOR STARTER, 1.6-2.5A	1
	47	12A7530E56	PUMP MANUAL MOTOR STARTER, 4.0-6.3A	1
	48	12A7501E49	TERMINAL BLOCK END STOP	1
	49	12A7515E09	CIRCUIT BREAKER, 30A, 3 POLE	1
	50	12A7516E26	CONTACTOR, 23A, 3 POLE, W/1NC AUX, 208/240V COIL	1
19T2120M0205 480V, 0.04C NR-COOLED	51	12A7534R03	DIN RAIL ADAPTER (FOR CB #GD3015)	1
	46	12A7530E52	CUTTER MANUAL MOTOR STARTER, 0.63-1.0A	1
	47	12A7530E55	PUMP MANUAL MOTOR STARTER, 2.5-4.0A	1
	48	12A7501E49	TERMINAL BLOCK END STOP	1
19T2120M0206 480V, 0.04C NR-COOLED	49	12A7515E08	CIRCUIT BREAKER, 15A, 3 POLE	1
	50	12A7516E26	CONTACTOR, 23A, 3 POLE, W/1NC AUX, 208/240V COIL	1
	51	12A7534R03	DIN RAIL ADAPTER (FOR CB #GD3015)	1
	46	12A7530E53	CUTTER MANUAL MOTOR STARTER, 1.0-1.6A	1
	47	12A7530E55	PUMP MANUAL MOTOR STARTER, 2.5-4.0A	1

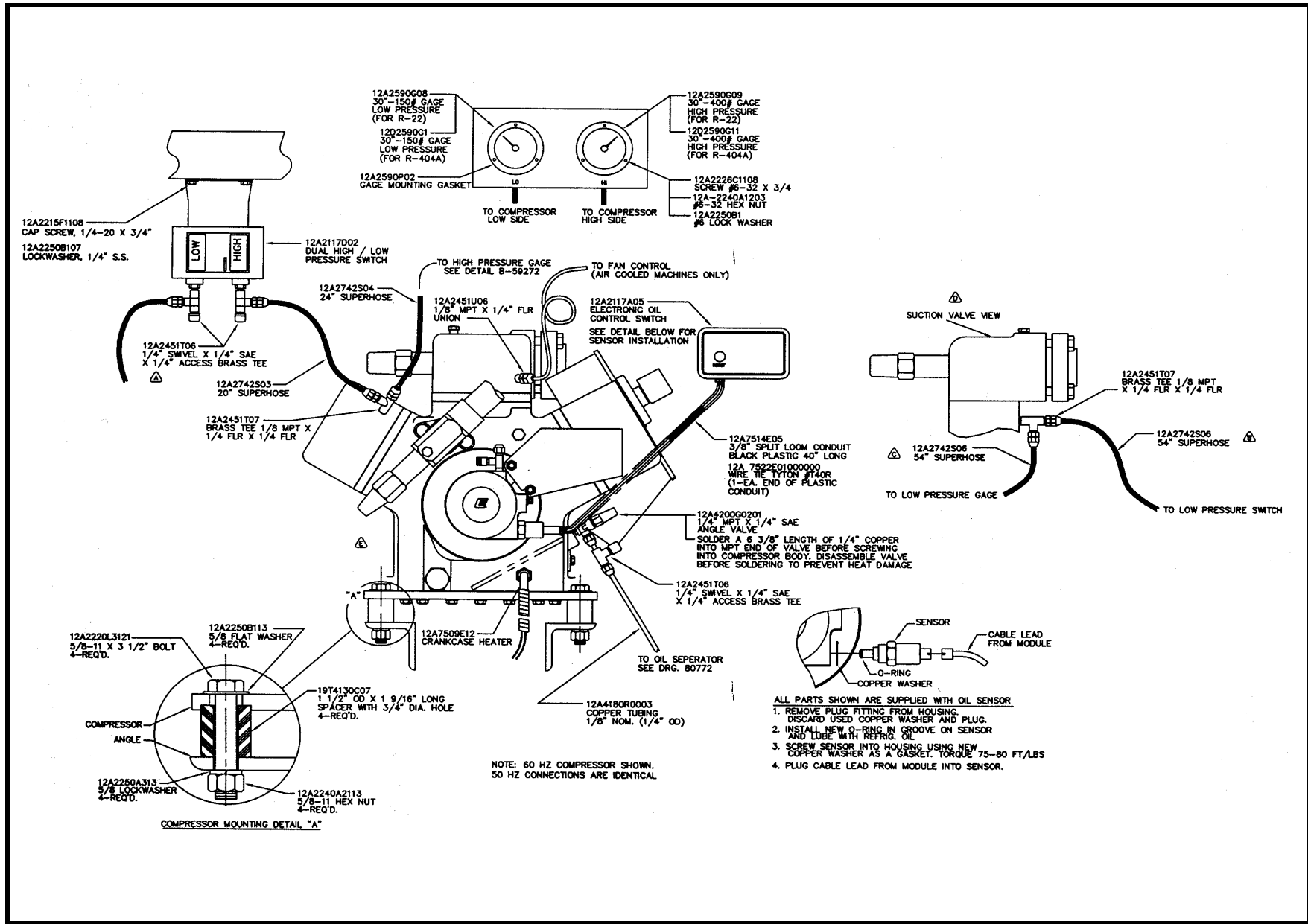
10TA Air-Cooled Discharge Line Detail



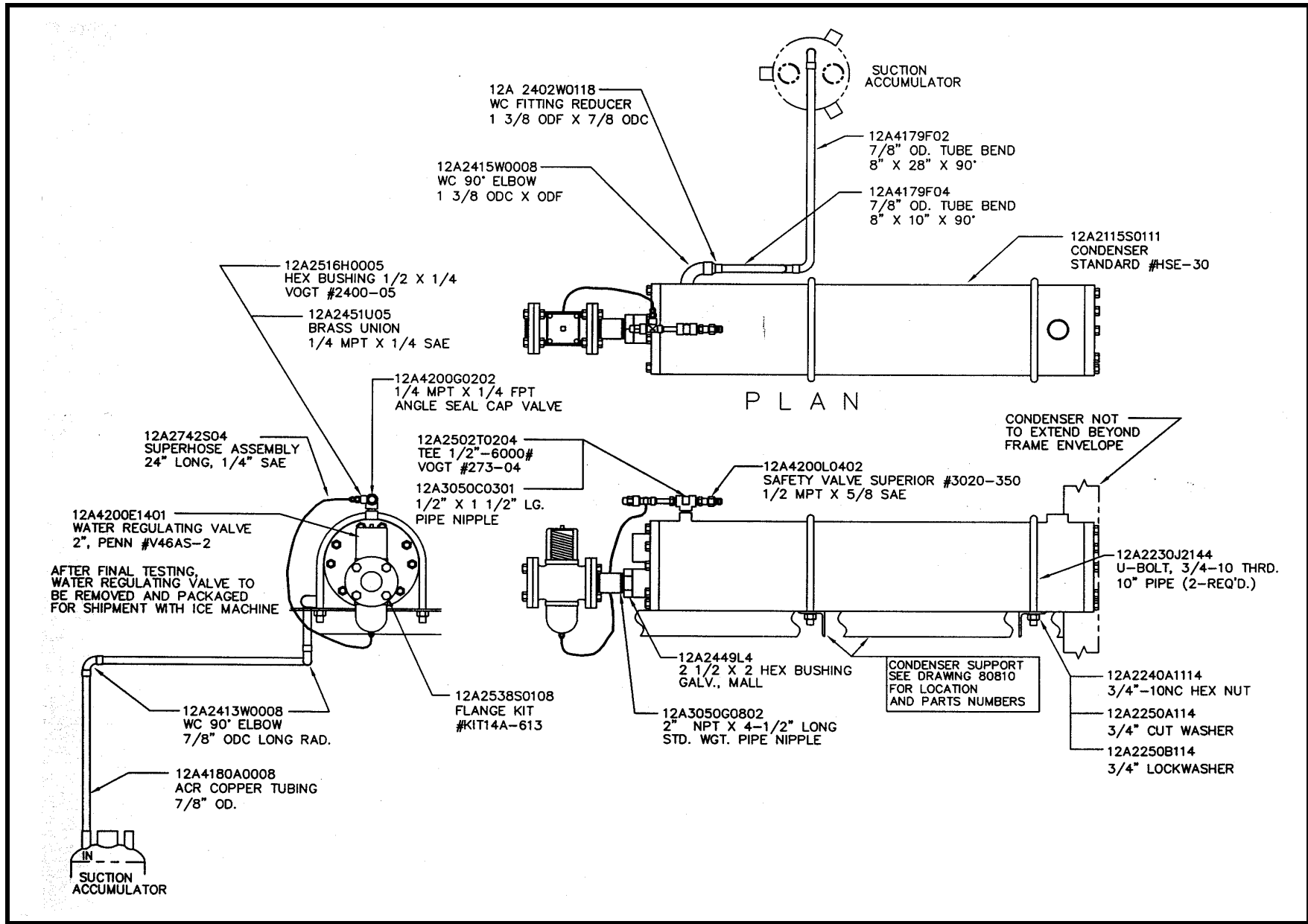
10TA Water Tank Blowdown/Drain Detail



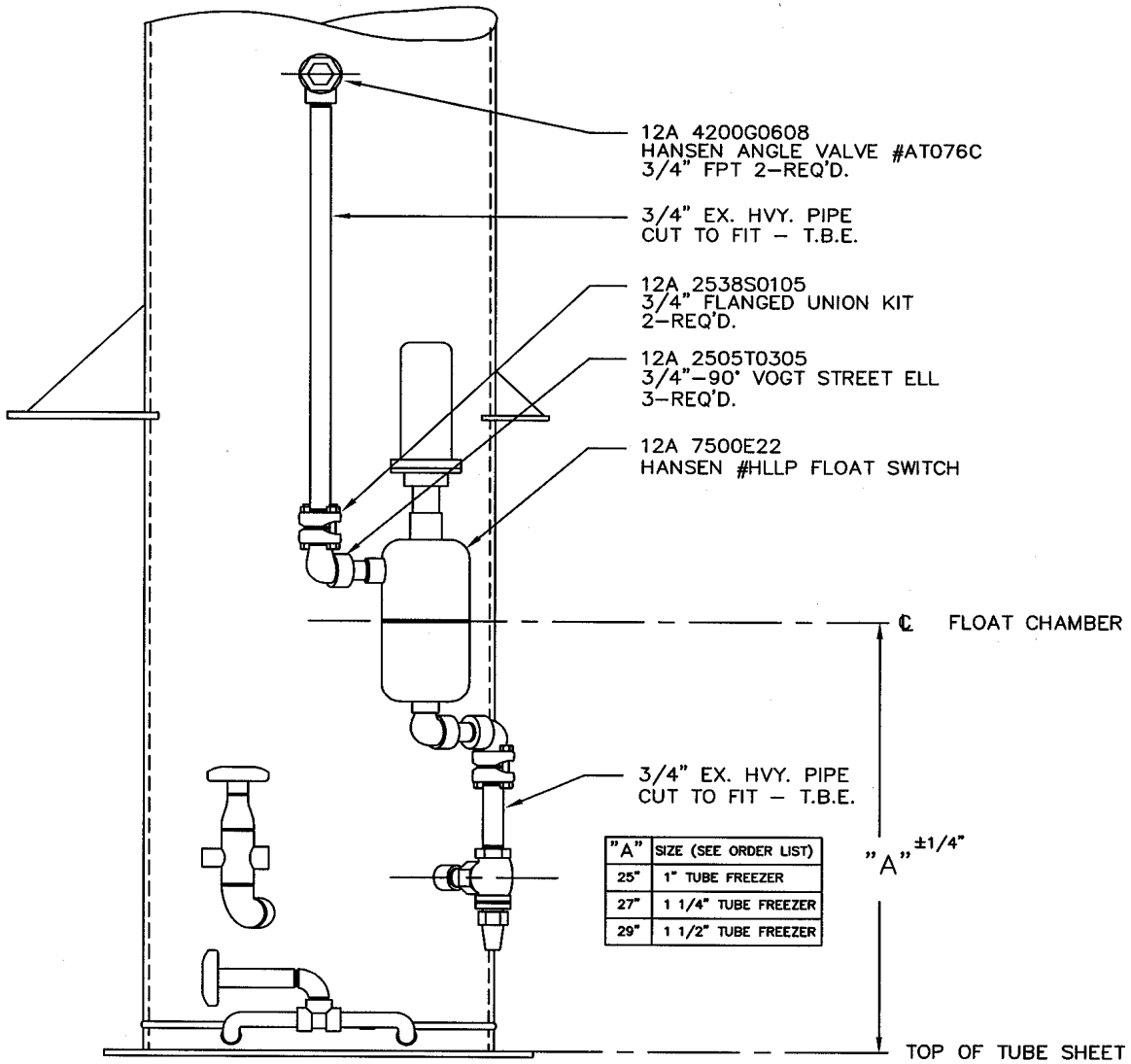
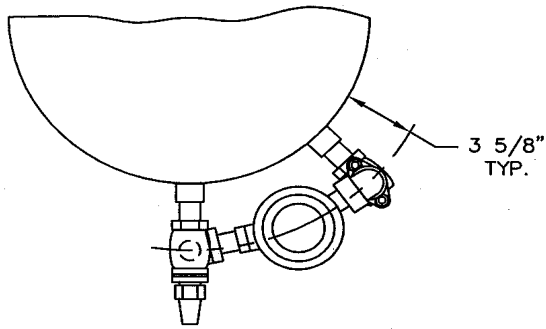
10TA Compressor Assembly Detail



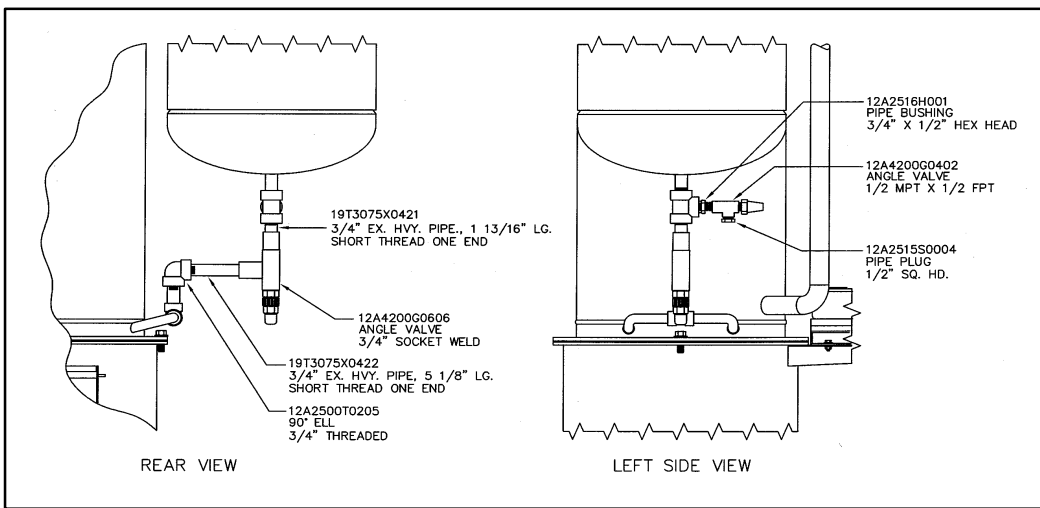
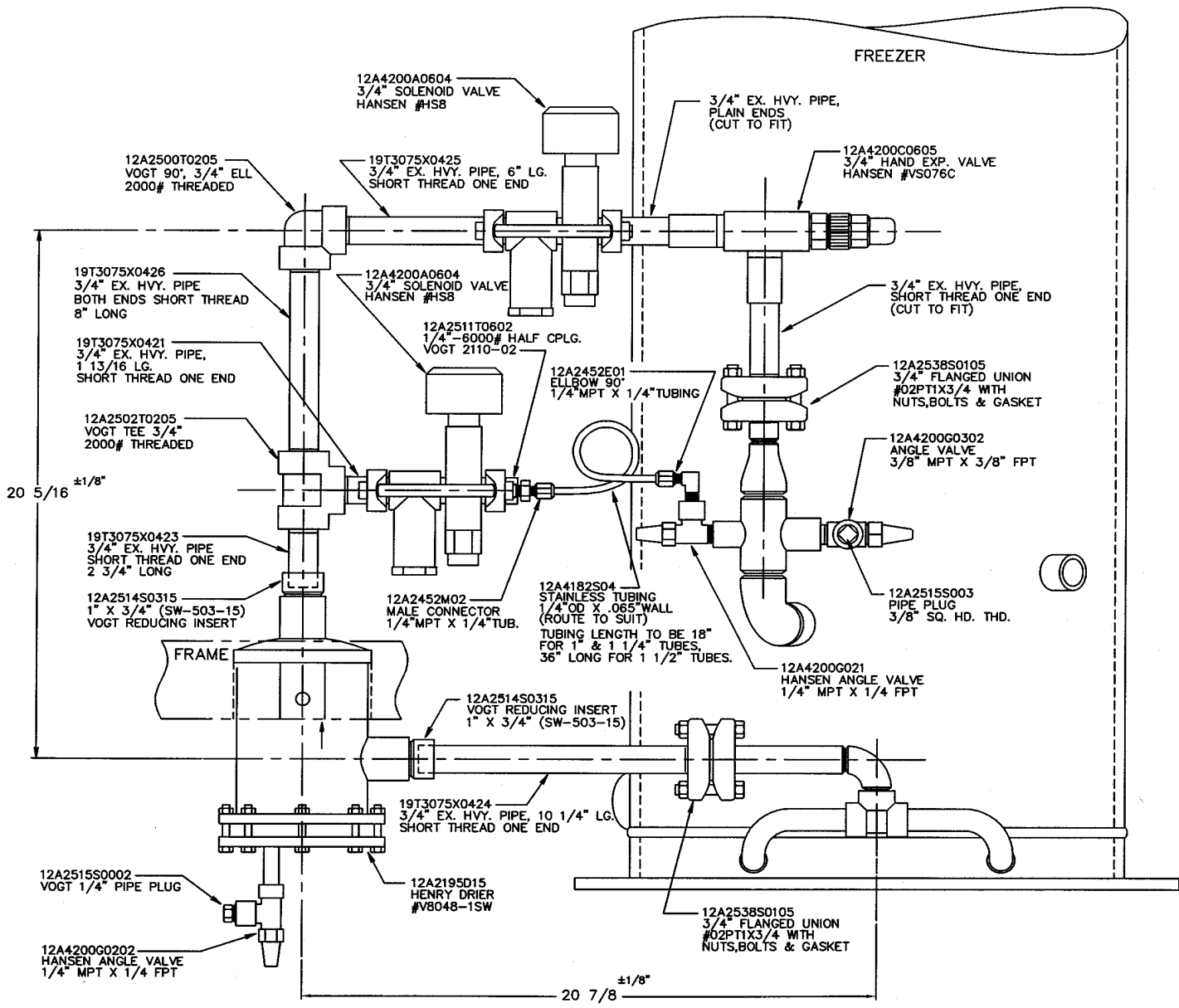
10TA Water-Cooled Condenser Assembly Detail



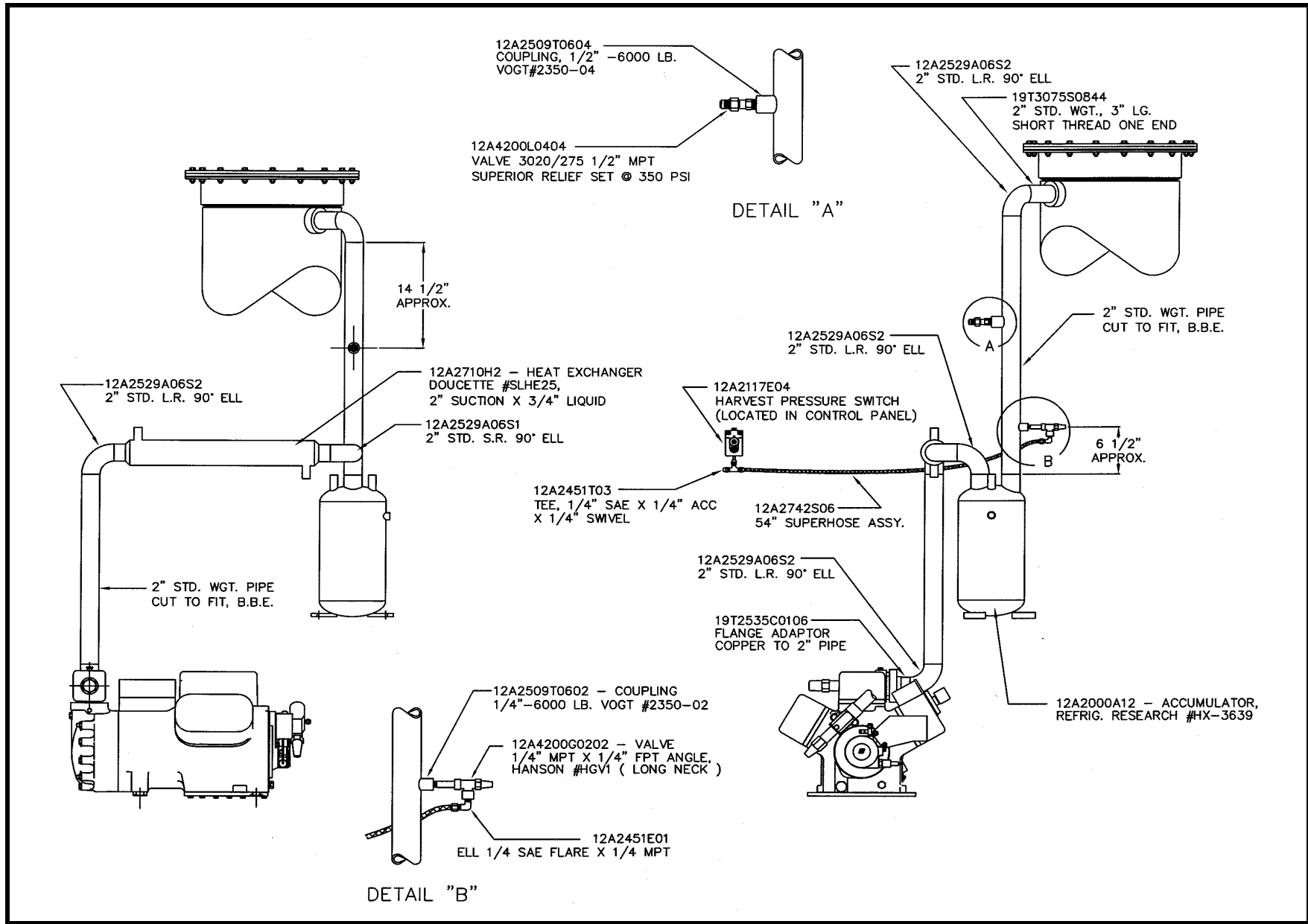
10TA Float Switch Assembly Detail



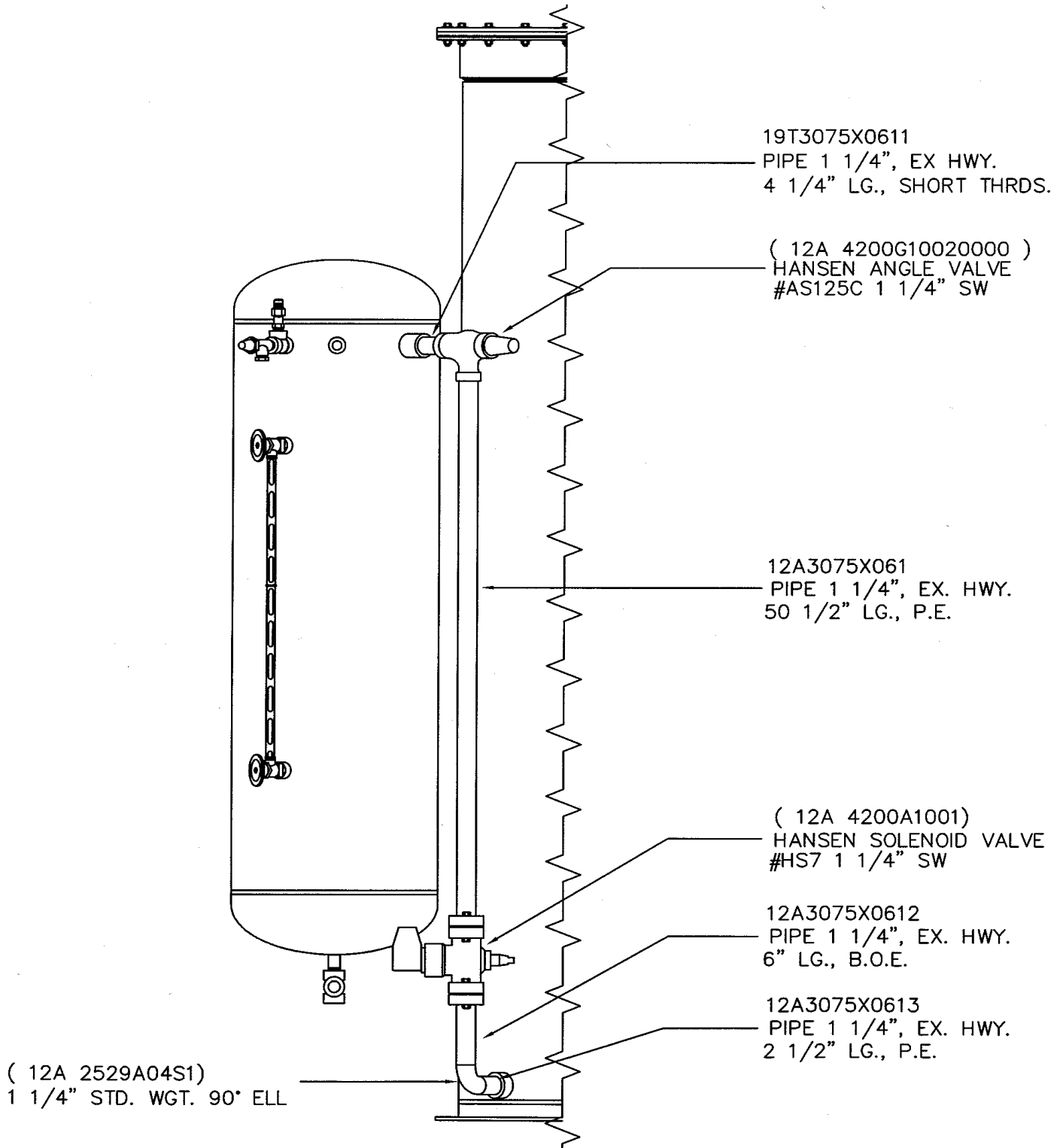
10TA Liquid Line Assembly Detail



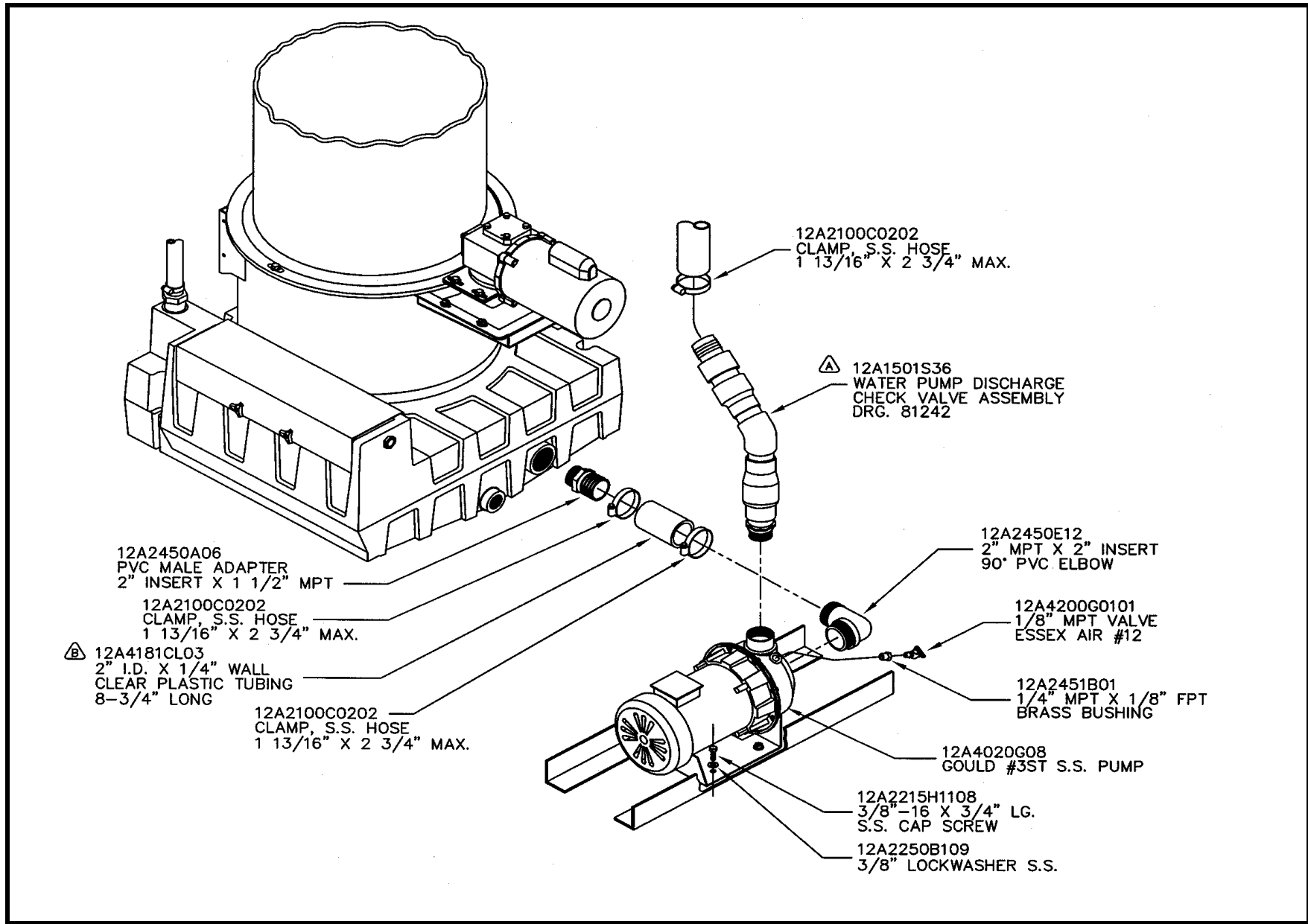
10TA Suction Line Detail



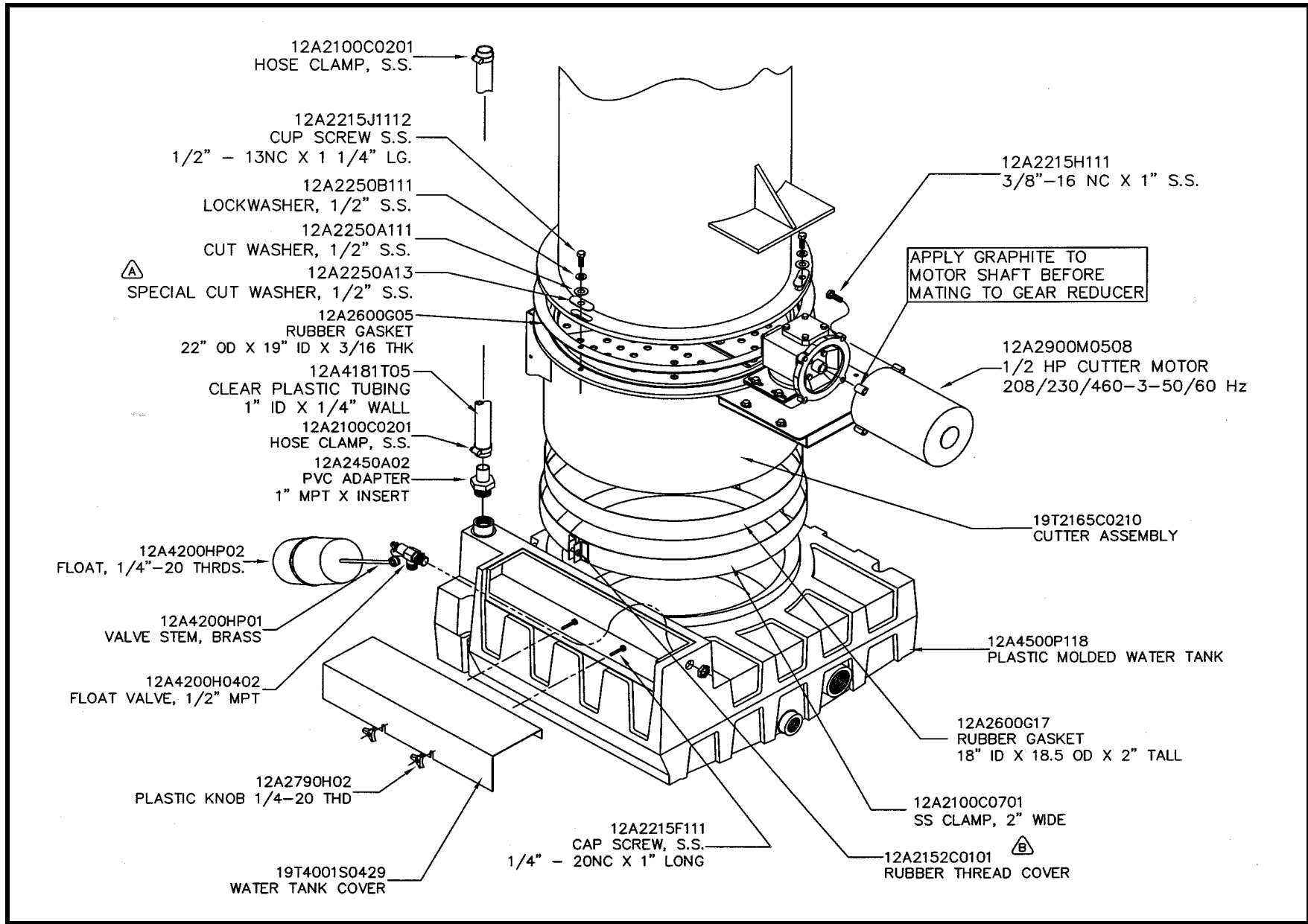
10TA Thawing Gas Line Assembly



10TA Water Tank Assembly Detail



10TA Water Tank Detail



10TA Water-Cooled Discharge Line Detail

