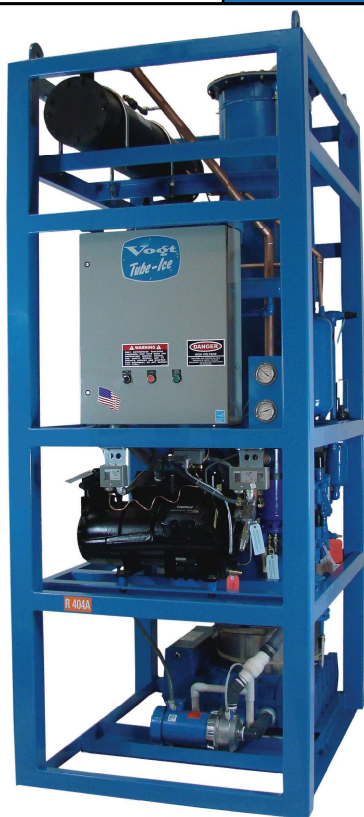


P18XT SERIES TUBE-ICE MACHINE

P18XT-1", P18XT-1 1/4" & P18XT-1 1/2"



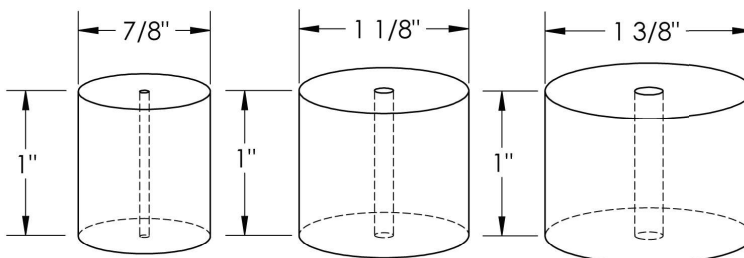
The P18XT Series with a capacity of 10 tons of ice per day is the workhorse of Vogt's mid-size Tube-Ice machine line. Available as a self contained water cooled or remote air-cooled unit, the P18XT will provide you with years of dependable service.

Heavy-duty industrial construction, automatic operation, energy efficiency and the best warranty in the business make the Vogt P18XT Series the only "clear" choice for your ice making needs.

P18XT Standard Features:

- ★ 25 Year Evaporator Warranty
- ★ Voltage - 208/230v.,3p.,60hz.
- ★ Refrigerant 404a
- ★ Highly efficient Copeland Discus compressor
- ★ Water-cooled or remote air-cooled operation
- ★ Domestic crating for machine and condenser
- ★ Power monitor on 50hz units

P18XT Tube-Ice Available in Three Ice Sizes:



Not to Scale

P18XT Options:

- ★ Voltage - 460v.,3p.,60hz.
- ★ Voltage - 400v.,3p.,50hz.
- ★ Voltage - 200v.,3p.,50hz. or 230v.,3p.,50hz.
- ★ Voltage - 575v.,3p.,60hz.
- ★ Electro-fin coated condenser
- ★ Condenser for sea water
- ★ PLC Control panel (programmable logic controller)
- ★ Cutter for 1-1/2" long ice
- ★ Stainless steel casings
- ★ Remote switch box
- ★ Power monitor (for 60hz.)
- ★ "CE" Approval (400v, 50hz only)
- ★ Canadian Registration Number (CRN)
- ★ Export crating (ISPM-15 Rated)

Energy usage based on makeup water temperature of 70 °F. (21 °C.), ambient (air) temperature of 90 °F. (32 °C.). Capacity rating is average for the model. Individual machines may vary +/- 5%. Capacity based on ambient (air) temperature of 90 °F. (32 °C.). Capacity reduced 17% for 50hz. operation. Makeup water usage includes 20% blowdown.

Model	Machine Capacity						Energy Usage KWH/ 100 lbs	Water Usage					
	Make-Up Temperature							Ice Making				Condenser	
	50°F (10°C)		70°F (21°C)		90°F (32 °C)			Gal/ 100lbs	Liters/ 100lbs	GPM	LPM	GPM	LPM
P18FXT - 1"	21,200	9616	20,000	9072	16,600	7530	2.51	14.5	54.9	2.35	8.89	90	340
P18FXT - 1 1/4"	19,460	8827	18,100	8210	15,780	7158	3.18			2.12	8.02		
P18FXT - 1 1/2"	18,300	8301	15,780	7158	14,500	6577	3.21			2.04	7.72		

Vogt Ice LLC
 1000 W. Ormsby Avenue
 Louisville, KY 40210
 (800) 853-8648, (502) 635-3000
 info@vogtice.com

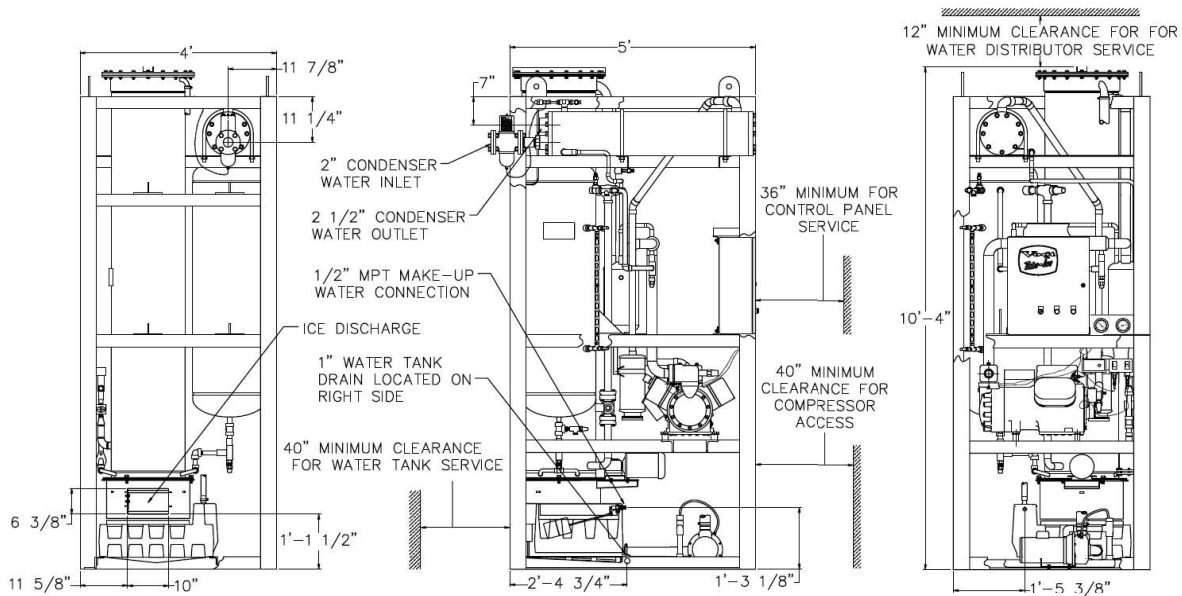


www.vogtice.com

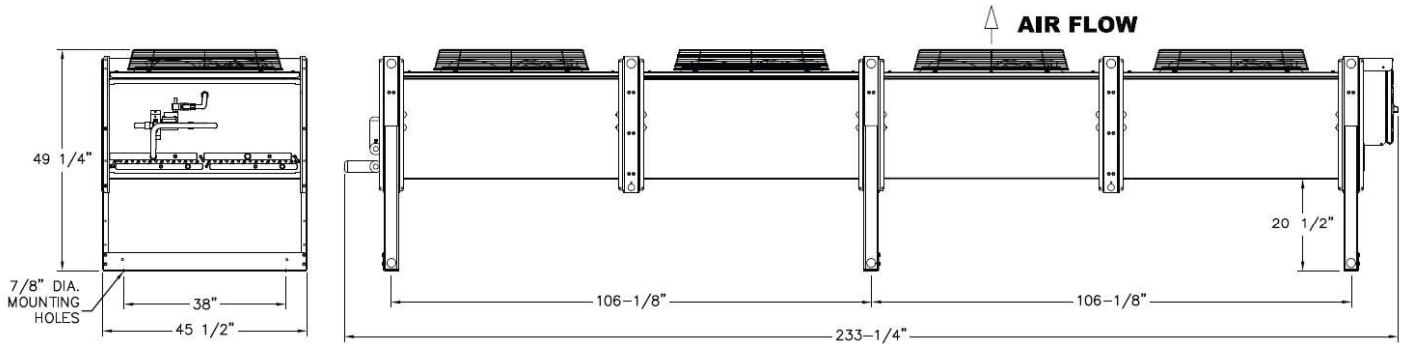


P18XT SERIES TUBE-ICE MACHINE

P18XT-1", P18XT-1 1/4" & P18XT-1 1/2"



Condenser



Ice Machine Electrical Information

Voltage	Air Cooled			Water Cooled		
	F.L.A.	Min. Ampacity	Max. Fuse Size (Amps)	F.L.A.	Min. Ampacity	Max. Fuse Size (Amps)
208/230V, 3ph, 60hz	129.3	152.8	250	101.3	124.8	220
460V, 3ph, 60hz	70.2	83.3	140	56.2	69.3	125
200V, 3ph, 50hz	162.1	193.4	320	134.1	165.4	295
400V, 3ph, 50hz	81.3	96.9	160	67.3	82.9	150

Motor Information

Water Pump	Cutter Motor	Condenser Fan Motor(s)	Compressor
H.P.			
1 1/2	1/2	(qty 4) @ 1 1/2	21
			24

Machine Weights

	Ice Machine		Condenser	
	Lbs	Kg	Lbs	Kg
Shipping Weight	4800	2177	1520	690
Operating Weight	4900	2223	1570	712

Line Size Connections

Ice Making Water	1/2" MPT	
Drain Connections	1" FPT	
Condenser Water Lines	In	2" FPT
	Out	2-1/2" FPT
Refrigerant Line Sizes from Ice Machine to Condenser	Return	1 3/8" IDS
	Out	1 3/8" IDS

Operating Conditions

The ice machine shall not be subjected to an atmospheric temperature lower than 50 ° F. (10 ° C.) nor higher than 90 ° F. (32 ° C.) without effect on performance. Water for condensing or ice making purposes shall be non-corrosive.

The water shall be at a constant pressure no less than 30lbs. at the ice machine location. The condition of the water to make satisfactory ice shall be the responsibility of the purchaser.