

# P34AL SERIES TUBE-ICE MACHINE

## 50 Ton per Day Ammonia Low-Side



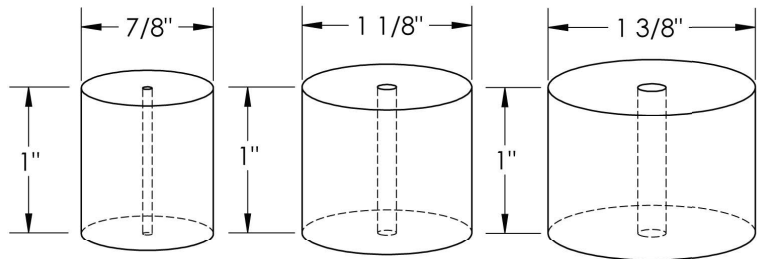
The P34AL Series with a capacity of 50 tons of ice per day is an ammonia low-side Tube-Ice machine designed to operate with a dedicated ammonia high-side or on a central refrigeration system. The P34AL will provide you with many years of dependable service.

Heavy-duty industrial construction, automatic operation, energy efficiency and the best warranty in the business make Vogt Tube-Ice machines the only "clear" choice for your ice making needs.

### P34AL Standard Features:

- ★ 25 Year Evaporator Warranty
- ★ Up to 50 tons of ice per day
- ★ Voltage - 230v.,3p.,60hz.
- ★ Control Voltage - 230v.,1p.,60hz
- ★ UL 508A Industrial Control Panel
- ★ Ammonia flooded operation
- ★ Manufactured in accordance with A.S.M.E. code
- ★ Standard ice length 1"

### P34AL Tube-Ice Available in Three Ice Sizes:



*Not to Scale*

### P34AL Options:

- ★ Voltage -460 v.,3p.,60hz.
- ★ Voltage - 400v.,3p.,50hz.
- ★ Voltage - 575v.,3p.,60hz.
- ★ 120v Controls
- ★ PLC Control panel (programmable logic controller)
- ★ Power monitor
- ★ Cutter for 1-1/2" long ice
- ★ Cutter for crushed ice
- ★ Cutterless option
- ★ R.S. control valves
- ★ Liquid overfeed
- ★ All stainless steel
- ★ "CE" Approval (400v, 50hz only)
- ★ Canadian Registration Number (CRN)

### Operating Conditions

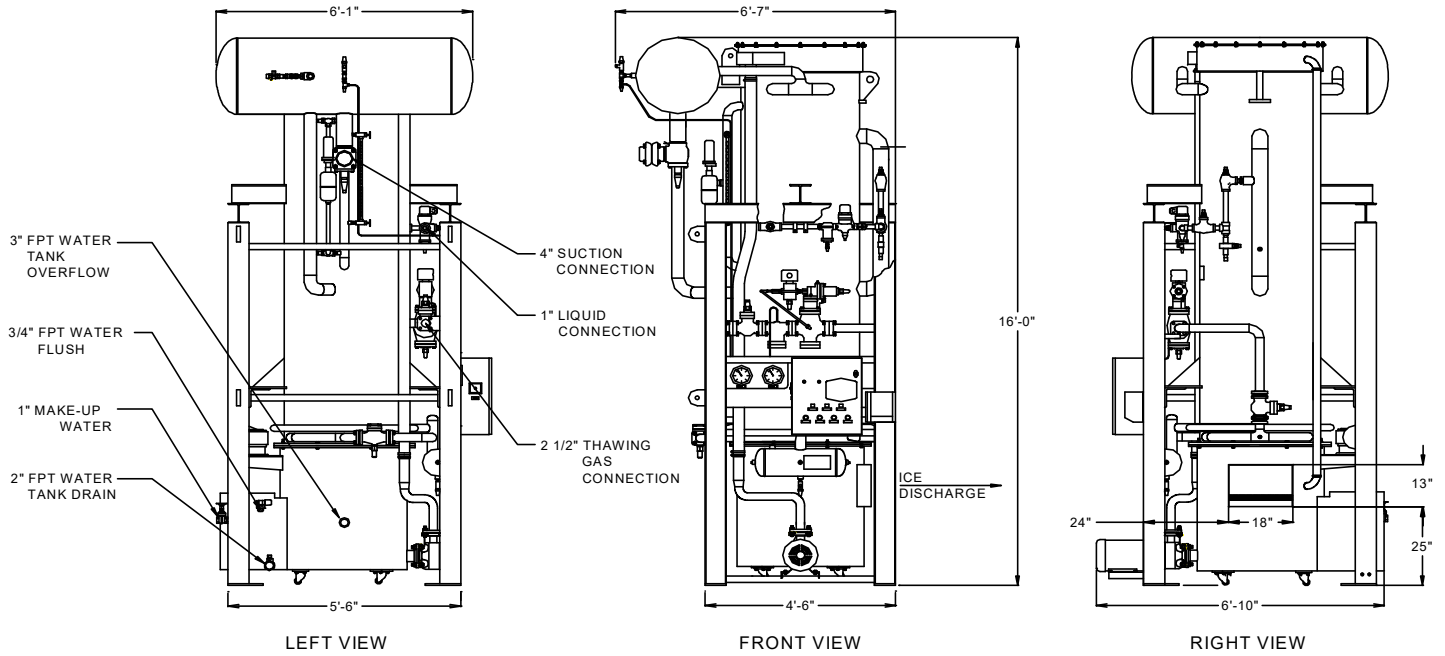
The ice machine shall not be subjected to an atmospheric temperature lower than 50 ° F. (10 ° C.) nor higher than 90 ° F. (32 ° C.) without effect on performance. Water for condensing or ice making purposes shall be non-corrosive.

The water shall be at a constant pressure no less than 30lbs. at the ice machine location. The condition of the water to make satisfactory ice shall be the responsibility of the purchaser.



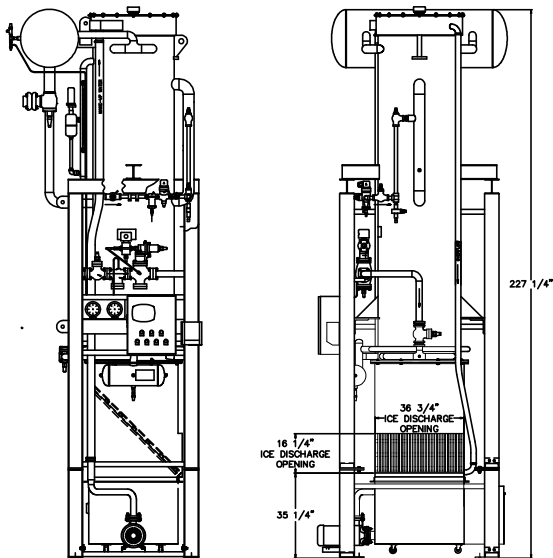
# P34AL SERIES TUBE-ICE MACHINE

## 50 Ton per Day Ammonia Low-Side



Water Temperature	P34AL STANDARD CAPACITY TONS OF ICE PER 24 HOURS @ 10° F SUCTION		
	7/8" Diameter Ice	1-1/8" Diameter Ice	1-3/8" Diameter Ice
80 ° F	60.6	57.2	43.9
70 ° F	62.9	59.7	45.9
60 ° F	65.3	62.4	48.1
50 ° F	67.9	65.4	50.6
Shipping Weight	10,400	10,000	9,600
Operating Weight	11670	11,670	11,270

Water Temperature	CAPACITY TABLE, TONS OF ICE PER 24 HOURS (AT SUCTION TEMPERATURE ° F)											
	0 ° F			5 ° F			15 ° F			20 ° F		
	7/8"	1-1/8"	1-3/8"	7/8"	1-1/8"	1-3/8"	7/8"	1-1/8"	1-3/8"	7/8"	1-1/8"	1-3/8"
80 ° F	76.7	75.1	58.5	69.2	66.5	51.5	50.8	46.9	35.7	39.6	35.6	26.8
70 ° F	79.2	78.0	61.0	71.6	69.3	53.7	52.9	49.1	37.4	41.3	37.3	28.1
60 ° F	81.9	81.3	63.8	74.1	72.3	56.3	55.1	51.4	39.3	43.1	39.2	29.6
50 ° F	84.7	84.8	66.8	76.9	75.6	59.0	57.4	54.0	41.4	45.1	41.3	31.3



**Capacities based on the following:**

- Flooded ammonia liquid feed
- Blowdown of 40 gallons per cycle
- Ammonia discharge pressure of 185psig
- Harvest cycle of 3.5 minutes