



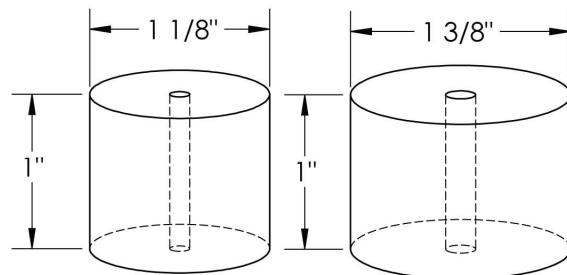
The P34AXL Series with a capacity of 80 tons of ice per day is an ammonia low-side Tube-Ice machine designed to operate with a dedicated ammonia high-side or on a central refrigeration system. The P34AXL will provide you with many years of dependable service.

Heavy-duty industrial construction, automatic operation, energy efficiency and the best warranty in the business make Vogt Tube-Ice machines the only "clear" choice for your ice making needs.

**P34AXL Standard Features:**

- ★ 25 Year Evaporator Warranty
- ★ Up to 80 tons of ice per day
- ★ Voltage - 230v.,3p.,60hz.
- ★ Control Voltage - 230v.,1p.,60hz
- ★ UL 508A Industrial Control Panel
- ★ Ammonia flooded operation
- ★ Manufactured in accordance with A.S.M.E. code
- ★ Standard ice length 1"

**P34AXL Tube-Ice Available in Two Ice Sizes:**



*Not to Scale*

**P34AXL Options:**

- ★ Voltage -460 v.,3p.,60hz.
- ★ Voltage - 400v.,3p.,50hz.
- ★ Voltage - 575v.,3p.,60hz.
- ★ 120v Controls
- ★ PLC Control panel (programmable logic controller)
- ★ Power monitor
- ★ Cutter for 1-1/2" long ice
- ★ Cutter for crushed ice
- ★ R.S. control valves
- ★ Liquid overfeed
- ★ All stainless steel
- ★ "CE" Approval (400v, 50hz only)
- ★ Canadian Registration Number (CRN)

**Operating Conditions**

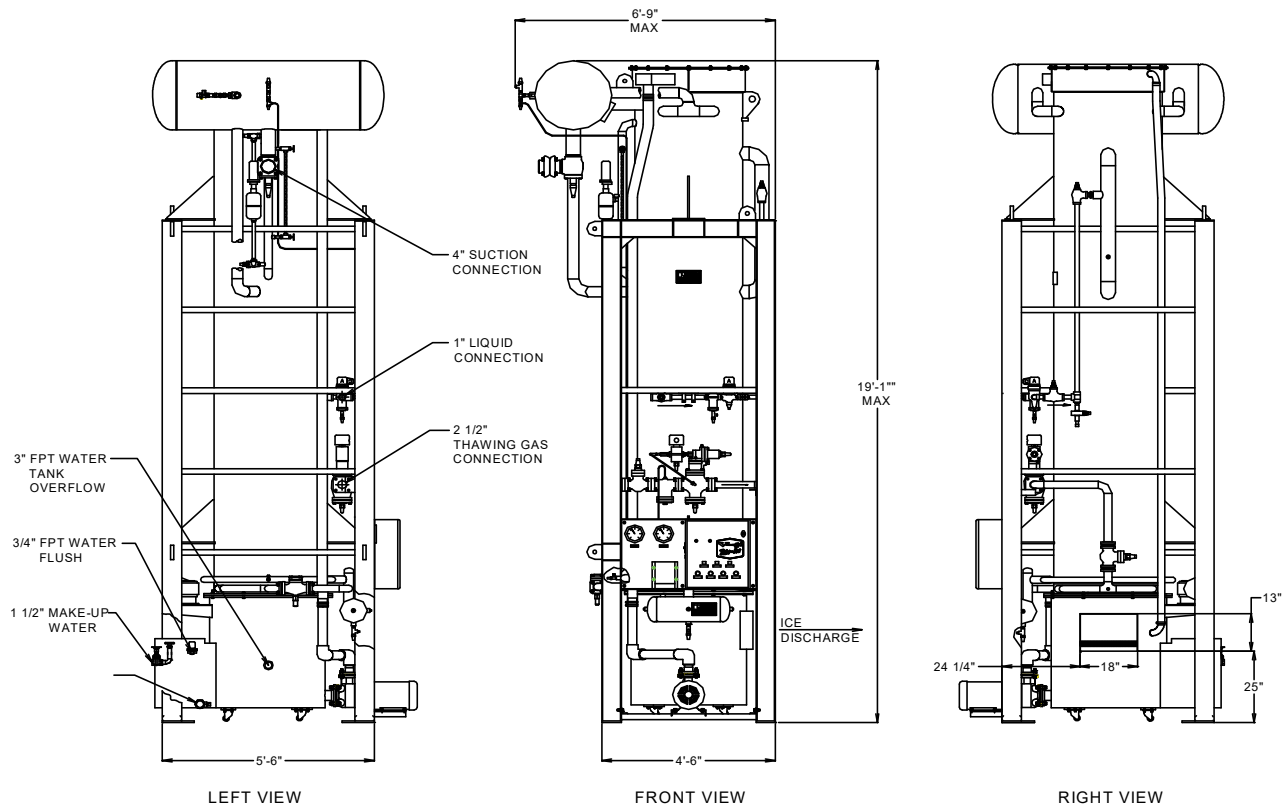
The ice machine shall not be subjected to an atmospheric temperature lower than 50 ° F. (10 ° C.) nor higher than 90 ° F. (32 ° C.) without effect on performance. Water for condensing or ice making purposes shall be non-corrosive.

The water shall be at a constant pressure no less than 30lbs. at the ice machine location. The condition of the water to make satisfactory ice shall be the responsibility of the purchaser.



# P34AXL SERIES TUBE-ICE MACHINE

## 80 Ton per Day Ammonia Low-Side



P34AXL STANDARD CAPACITY TONS OF ICE PER 24 HOURS @ 10 <sup>0</sup> F SUCTION (FLOODED)		
Water Temperature	1-1/8" Diameter Ice	1-3/8" Diameter Ice
80 <sup>0</sup> F	71.7	55.1
70 <sup>0</sup> F	74.7	57.6
60 <sup>0</sup> F	78.0	60.3
50 <sup>0</sup> F	81.6	63.2
Shipping Weight	12,300	12,000
Operating Weight	16,200	15,900

CAPACITY TABLE, TONS OF ICE PER 24 HOURS (AT SUCTION TEMPERATURE <sup>0</sup> F) (FLOODED)								
Water Temperature	0 <sup>0</sup> F		5 <sup>0</sup> F		15 <sup>0</sup> F		20 <sup>0</sup> F	
	1-1/8"	1-3/8"	1-1/8"	1-3/8"	1-1/8"	1-3/8"	1-1/8"	1-3/8"
80 <sup>0</sup> F	93.3	72.9	83.0	64.4	59.2	45.0	45.2	34.0
70 <sup>0</sup> F	96.8	75.9	86.4	67.1	61.8	47.1	47.3	35.7
60 <sup>0</sup> F	100.6	79.2	89.9	70.2	64.7	49.4	49.7	37.5
50 <sup>0</sup> F	104.8	82.8	93.8	73.5	67.8	52.0	52.2	39.6

Capacity based on 50 gallon blowdown per cycle with 4 minute harvest.

P34AXL STANDARD CAPACITY TONS OF ICE PER 24 HOURS @ 5 <sup>0</sup> F SUCTION (LOF)		
Water Temperature	1-1/8" Diameter Ice	1-3/8" Diameter Ice
80 <sup>0</sup> F	90.4	69.3
70 <sup>0</sup> F	93.4	71.8
60 <sup>0</sup> F	96.7	74.5
50 <sup>0</sup> F	100.2	77.4

Capacity based on 5 gallon blowdown per cycle with RO water, 4 minute harvest.