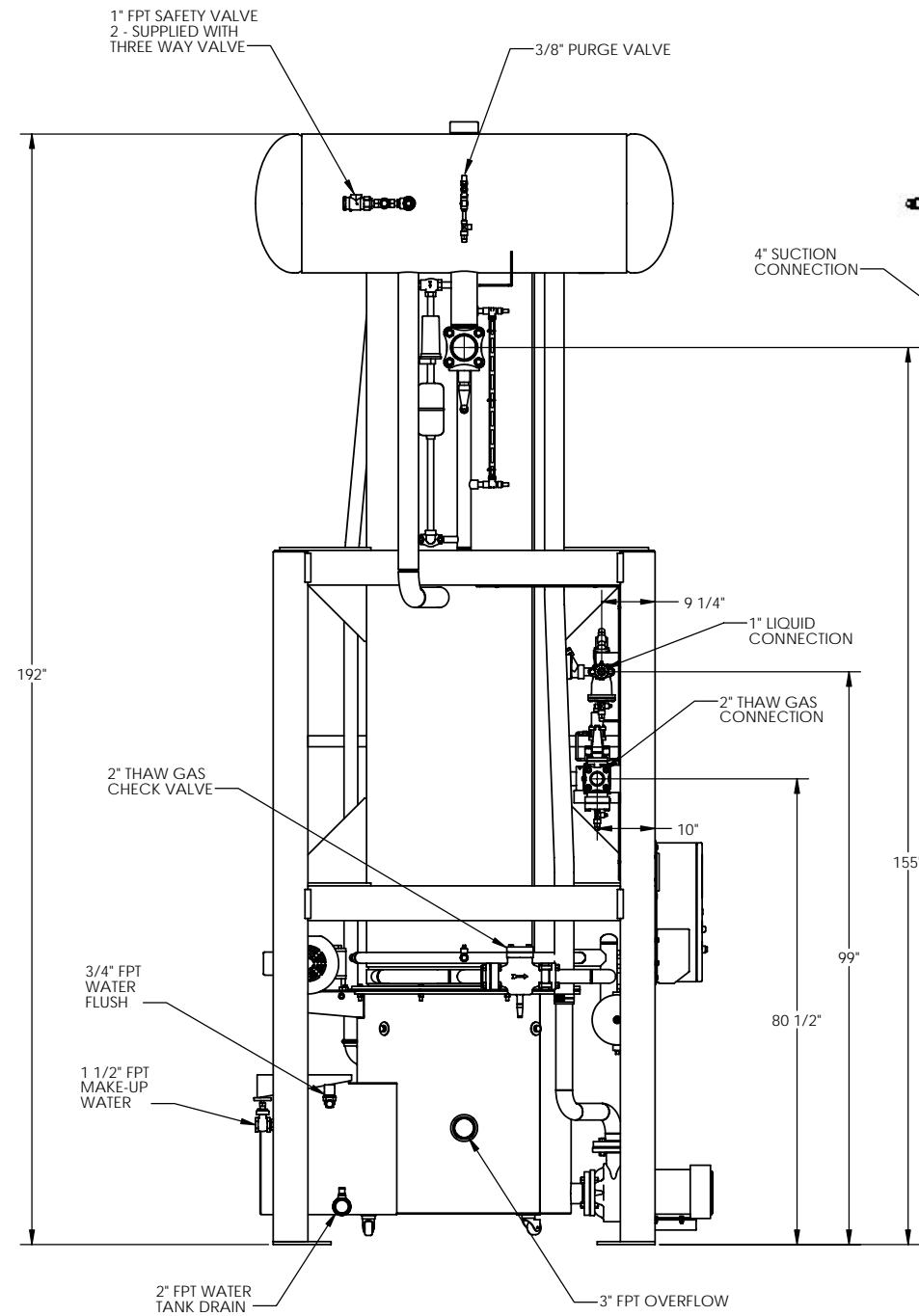
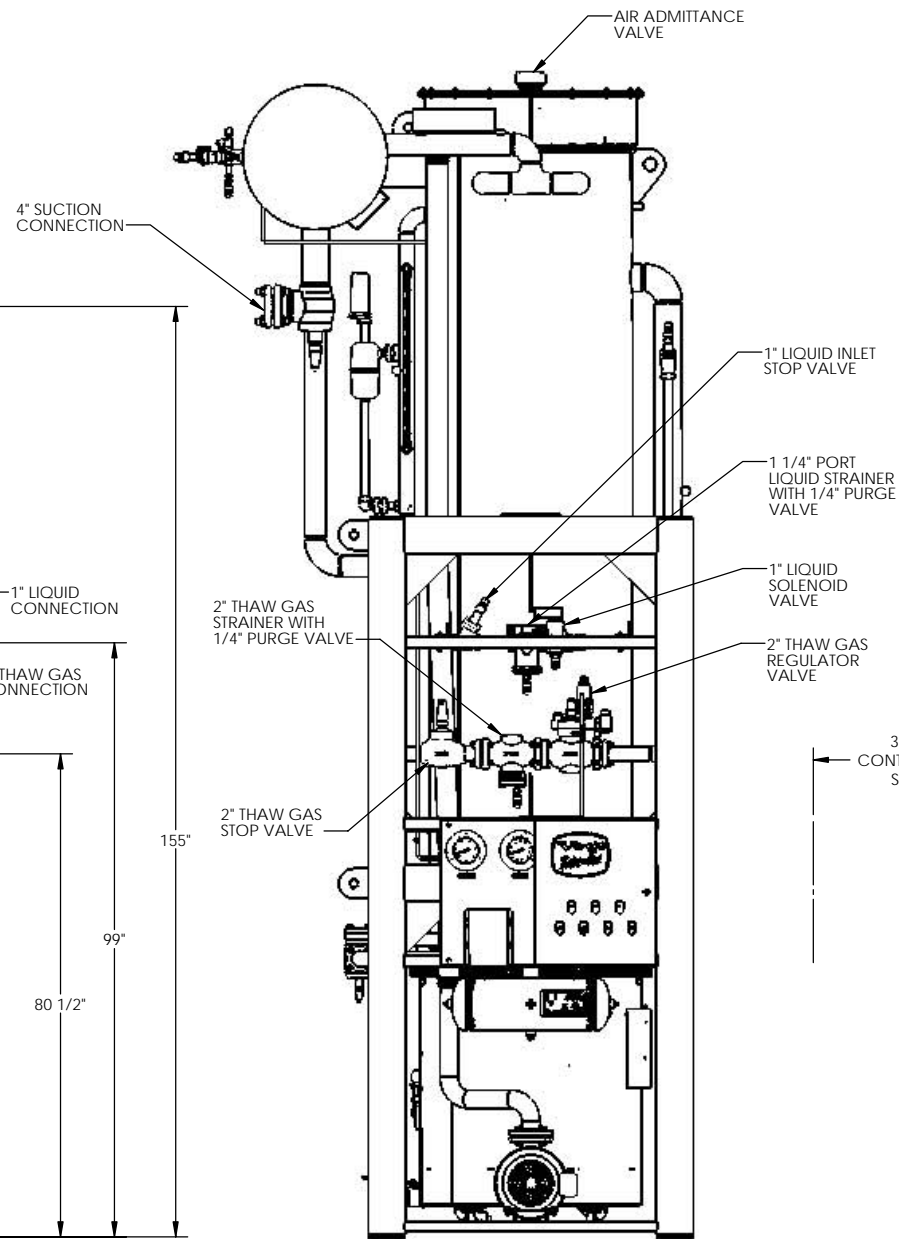


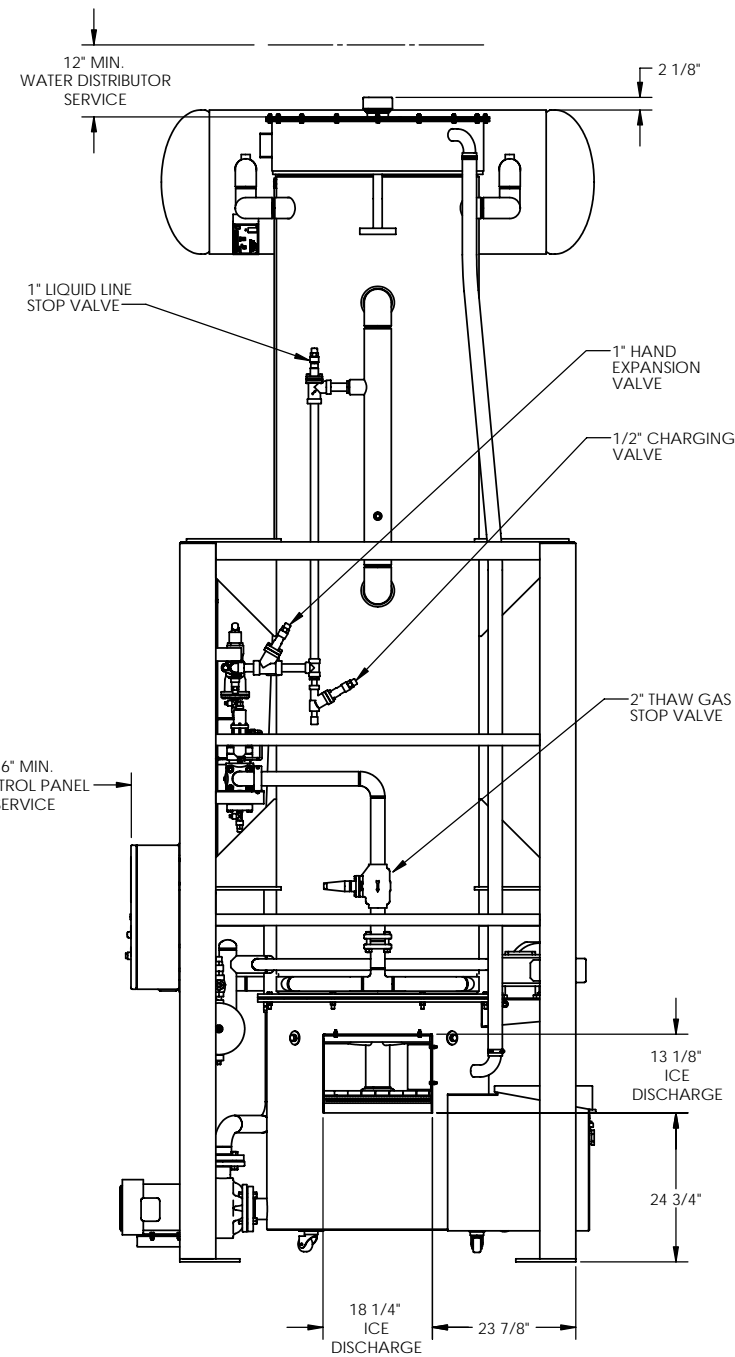
REVISION RECORD				
NO	DATE	FROM	TO	BY



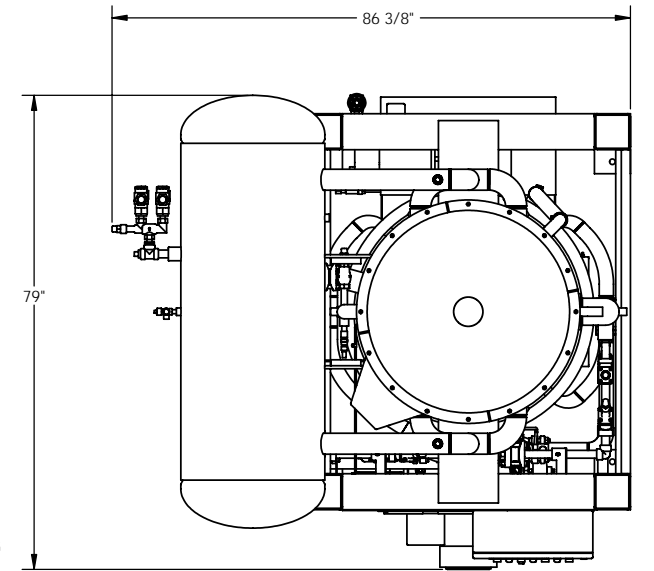
**LEFT SIDE**



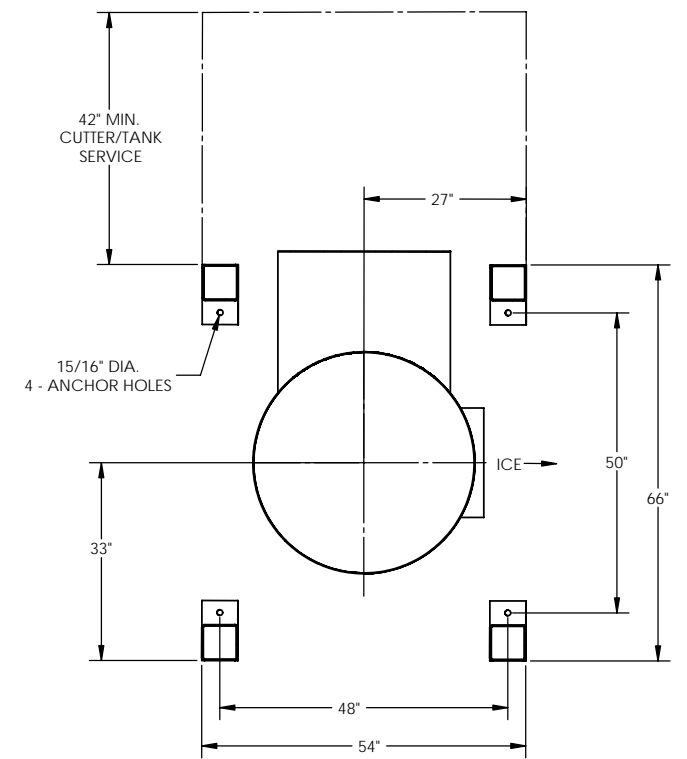
**FRONT ELEVATION**



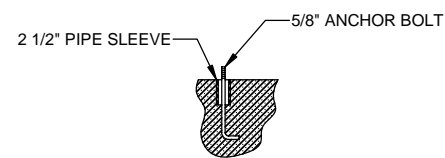
**RIGHT SIDE**



**PLAN**



**FOUNDATION PLAN**



**ANCHOR BOLT DETAIL**

This drawing contains TUBE ICE, LLC confidential and proprietary information and should be used, duplicated, or disclosed in whole or in part, without the express written permission of TUBE ICE, LLC.

EXCEPT AS OTHERWISE NOTED TO THE CONTRARY, ALL DIMENSIONS ARE IN INCHES UNLESS OTHERWISE SPECIFIED. TOLERANCES ARE AS SHOWN.

© 2010 TUBE ICE, LLC. All rights reserved as an unpatented trade secret.

DWN. BY	LOGSDON	<p><b>TUBE ICE, LLC</b> 1000 W. GRIMSBY AVE., LOUISVILLE, KY, 40210</p> <p><b>P34AL TUBE ICE MACHINE</b> ALL TUBE SIZES (CARBON STEEL CONSTRUCTION)</p> <p>CUSTOMER DRAWING DRG. NO. 81670</p>
CKD. BY		
RLSD. BY		
DATE	11/22/04	
SCALE	NONE	