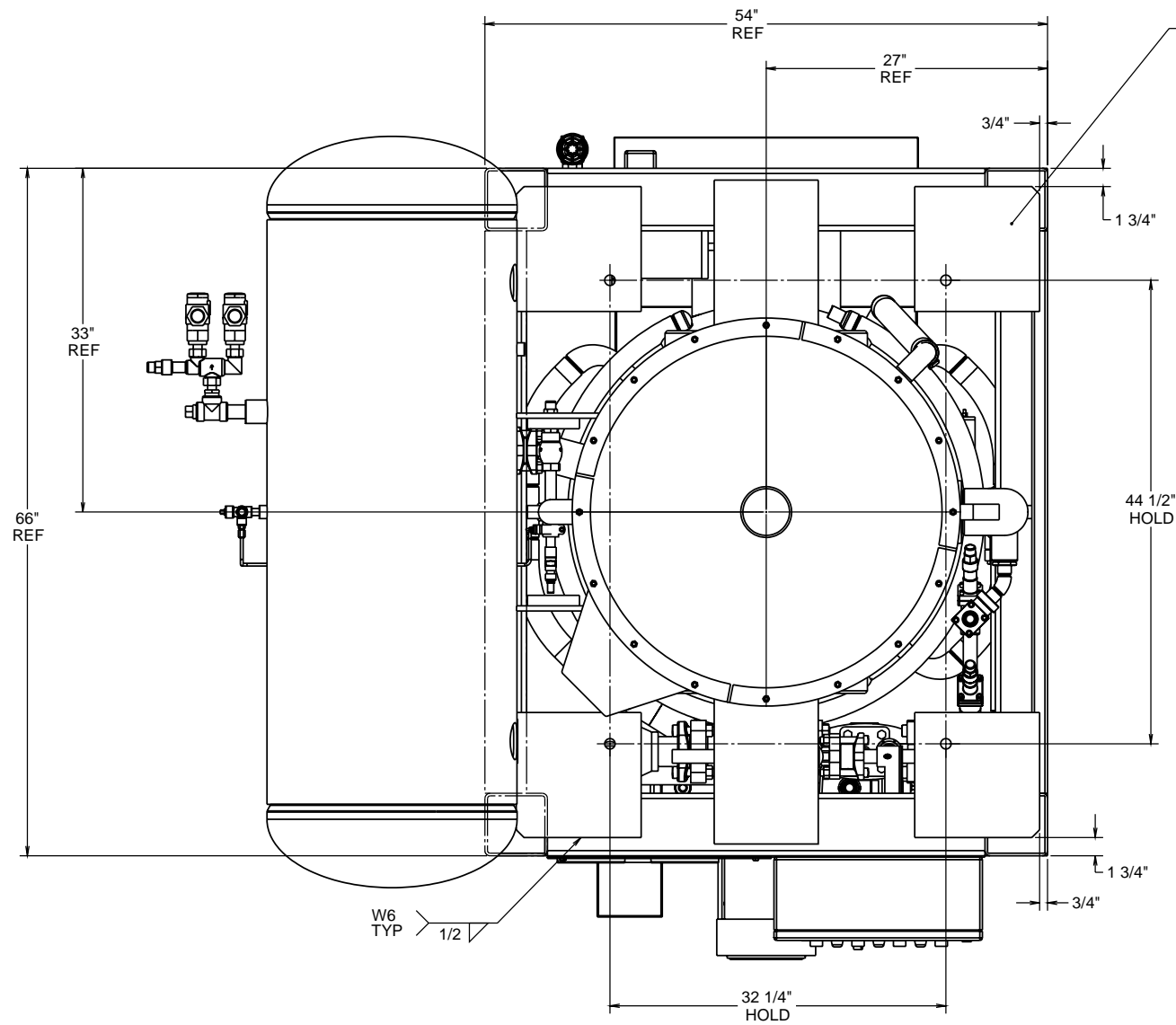
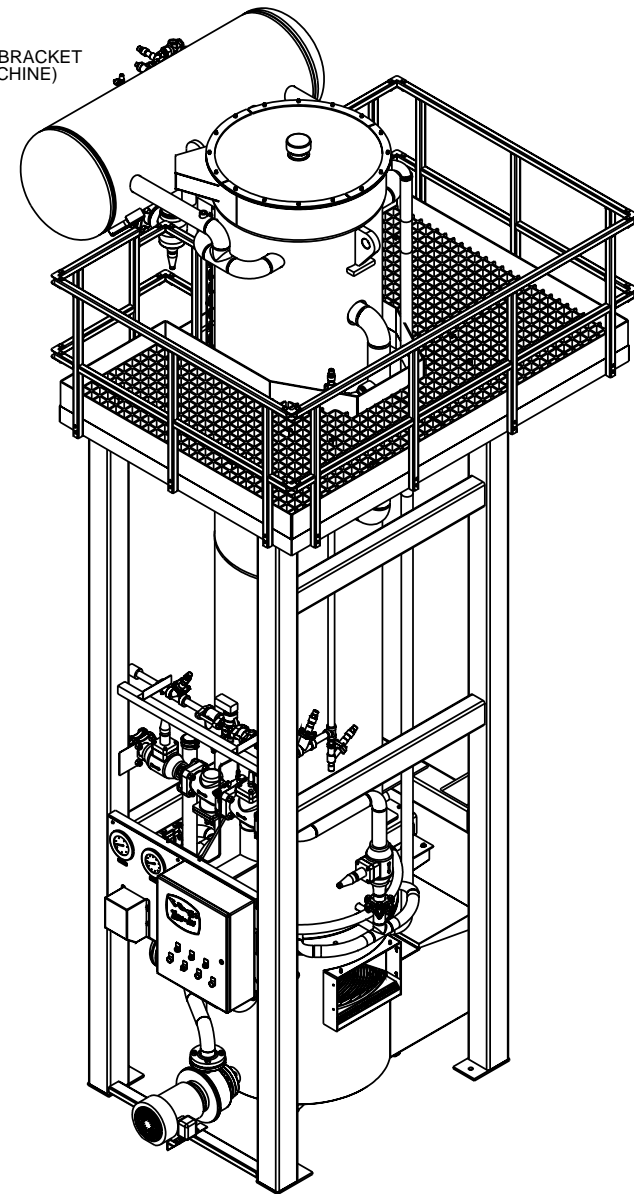


81748

REVISION RECORD				
NO.	DATE	FROM	TO	BY



12A2800S07
MOUNTING BRACKET
(4 - PER MACHINE)



- MOUNTING HARDWARE REQUIRED:**
 (4) 12A2215M1123, 3/4-10 X 2 1/4 LG. S.S. CAP SCREW
 (4) 12A2250A114, 3/4 S.S. CUT WASHER
 (4) 12A2240A1114, 3/4-10 S.S. HEX NUT

DWN. BY	LOGSDON	 TUBE ICE, LLC 1600 W. SHAWBY AVE., LOUISVILLE, KY 40219
CKD. BY		
RLSD. BY		P34 LOWSIDE PLATFORM TO MACHINE MOUNTING PARTS
DATE	12/16/05	
SCALE	NONE	PART NO. 12A1600GL3406 DRG. NO. 81748
SHEET 1 OF 1		D